



YAMAHA

PARTS CATALOGUE

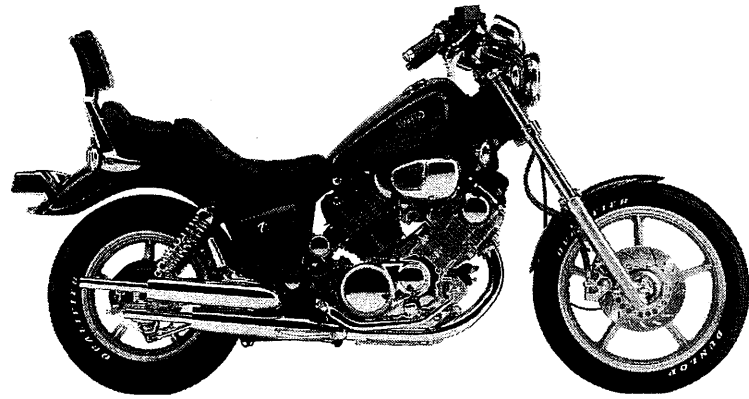
XV1100'91 (3LP2)

EUROPE

XV1100B (3EG4)

OCEANIA

| 13LP-300E2



FOREWORD

This Parts Catalogue is related to the parts in use for the Yamaha XV1100'91(3LP2)/XV1100B (3EG4). When you are ordering replacement parts for the XV1100'91(3LP2)/XV1100B(3EG4), refer to this Parts Catalogue and quote both part numbers and part names correctly.

1. Modifications or additions which have been made after issue of the Parts Catalogue will be announced in the Yamaha Parts News.
It is advisable that according to the Yamaha Parts News you make necessary corrections to the Parts Catalogue on hand to keep it up-to-date.

2. Abbreviations

The following abbreviations are used in this Parts Catalogue.

- U.R. Use size (thickness) and/or number as required.
- U.N. Use as many as you need.
- A.P. Alternate Parts
- L.M. Local Made
- F# Frame No. (Applicable machine No.)

3. The parts marked with (*) in the parts number column of this Catalogue are not supplied with by Yamaha, those have to be found locally.
4. Parts, which are to be supplied in the form of assemblies, are listed with an indentation of one letter's space, and a dot (.) is put against the name of each part.

EXAMPLE CARBURETOR ASS'Y
 . JET, pilot
 . NOZZLE, main

5. Indication of No. of constituent parts for assembly

The numeral appearing to the right of each constituent part under the description indicates the quantity of such parts for each individual assembly unit.

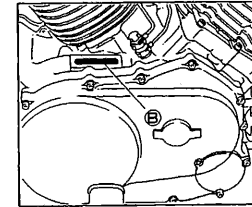
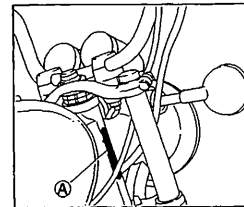
EXAMPLE

Part No.	Description	Q'ty	Remarks
2F5-83310-60	FRONT FLASHER LIGHT ASS'Y	2	
115-83311-60	. BULB (6V-18W)	1	
1M1-83309-60	. REFLECTOR	1	

6. Initial Serial No. and Color Code

3LP2	(A) Frame Serial No.	3LP-004101 and following
	(B) Engine Serial No.	3LP-004101 and following

3EG4	(A) Frame Serial No.	3EG-003101 and following
	(B) Engine Serial No.	3EG-003101 and following



Color Code	Color Name	Abbreviate
006G	NEW YAMAHA BLACK	NYB

7. Applicable colors of graphics are represented in the "Remarks" column by the letter(s) appropriately picked out of the full word(s) showing such colors.

EXAMPLE

Part No.	Description	Q'ty	Remarks
2N4-24110-00-X5	FUEL TANK COMP.	1	MAXIM RED
3J1-24240-10	. GRAPHIC, fuel tank set	1	for MXR

CONTENTS

GENERAL SPEC.

ENGINE

Cylinder Head	B2 ~ B3
Cylinder	B4
Crankshaft. Piston	B5 ~ B6
Valve	B7
Camshaft. Chain	B8
Oil Pump	B9
Oil Cleaner	B10
Intake	B11 ~ B13
Carburetor	B14 ~ B15
Exhaust	C2
Crankcase	C3
Crankcase Cover 1	C4 ~ C5
Starter Clutch	C6
Clutch	C7 ~ C8
Transmission	C9
Middle Drive Gear	C10 ~ C11
Shift Cam. Fork	C12
Shift Shaft	C13

CHASSIS

Frame	C14
Fender	C15 ~ D2
Side Cover	D3
Rear Arm. Suspension	D4
Drive Shaft	D5 ~ D6
Steering	D7
Front Fork	D8 ~ D9
Fuel Tank	D10 ~ D11
Seat	D12

Front Wheel	D13
Front Brake Caliper	D14
Rear Wheel	D15 ~ E2
Steering Handle. Cable	E3
Front Master Cylinder	E4
Stand. Footrest	E5 ~ E7
Generator	E8
Starting Motor	E9
Flasher Light	E10
Meter	E11
Headlight	E12
Taillight	E13
Handle Switch. Lever	E14
Electrical 1	E15 ~ F2
Electrical 2	F3

INDEX (GENERAL SPEC.)

Numerical Index	L2 ~ L6
-----------------------	---------

INDIVIDUAL SPEC.

FOR ENGLAND

Alternate (Chassis)	F5
Alternate (Electrical)	F6

FOR ITALY

Alternate (Chassis)	F8
Alternate (Electrical)	F9

FOR OCEANIA

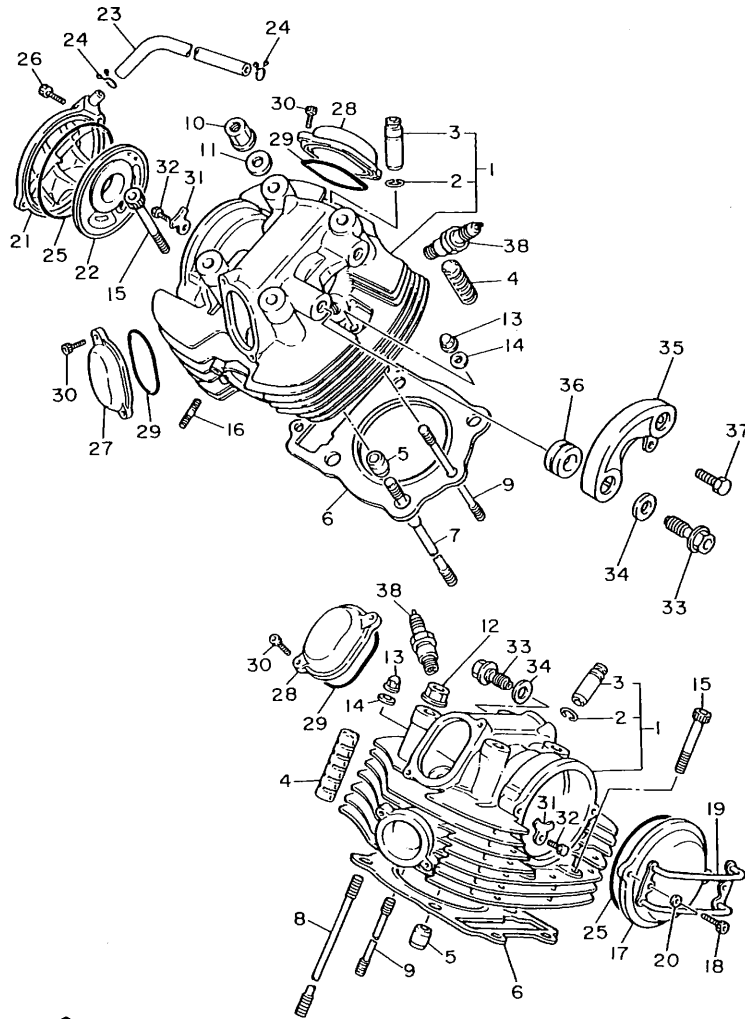
Alternate (Chassis 1)	F11
Alternate (Chassis 2)	F12
Alternate (Electrical)	F13

INDEX (INDIVIDUAL SPEC.)

Numerical Index	M2
-----------------------	----

GENERAL SPEC.

FIG. 1 CYLINDER HEAD

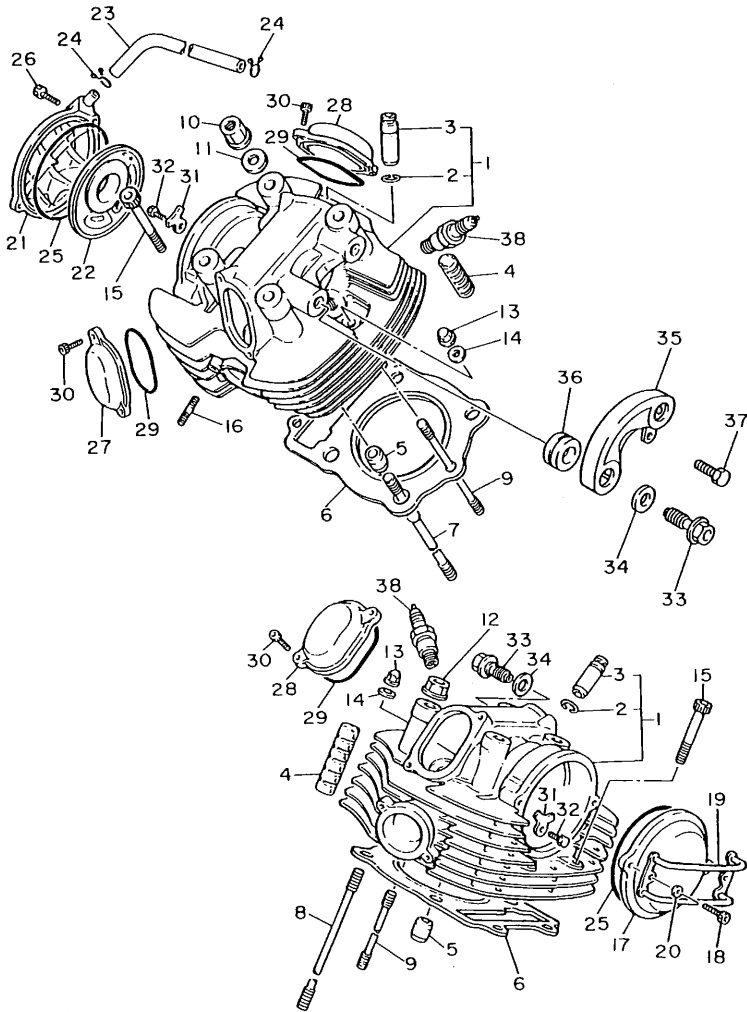


REF. NO.	PART NO.	DESCRIPTION	Q'TY	REMARKS
1	1TF-11102-00	CYLINDER HEAD ASSY	2	
2	93440-14086	.CIRCLIP	2	
3	4X7-11133-10	.GUIDE, in./ex. valve	2	1ST O/S
4	4X7-11127-00	ABSORBER 3	8	
5	91800-06030	PIN, dowel	4	
6	42H-11181-00	GASKET, cylinder head 1	2	
7	4X7-11363-01	BOLT, cylinder holding 3	4	
8	90116-12469	BOLT, stud	4	
9	90116-10344	BOLT, stud	2	
10	90179-12326	NUT	4	
11	90201-125A3	WASHER, plate	4	
12	90179-12325	NUT	4	
13	90176-10049	NUT, crown	2	
14	90201-102G9	WASHER, plate	2	
15	91311-08050	BOLT	4	
16	95611-08640	BOLT, stud	4	
17	42X-11185-01	COVER, cylinder head side 1	1	
18	91311-06016	BOLT	2	
19	42X-11152-00	BRACKET, cylinder head cover	1	
20	3RW-14766-00	WASHER, protector	2	
21	42X-1111H-01	COVER, cylinder head side 4	1	
22	42X-11165-00	PLATE, breather	1	
23	42X-11166-01	PIPE, breather 1	1	
24	90467-14015	CLIP	2	
25	93210-92448	O-RING	2	
26	91311-06025	BOLT	2	
27	42H-11186-01	COVER, cylinder head side 2	2	
28	4X7-11187-00	COVER, cylinder head side 3	2	


3DR1332-8010

B2

FIG. 1 CYLINDER HEAD



REF. NO.	PART NO.	DESCRIPTION	Q'TY	REMARKS
29	93210-62446	O-RING	4	
30	91311-06016	BOLT	8	
31	4X7-1111F-00	PLATE	2	
32	97011-08020	BOLT	2	
33	90401-16065	BOLT, union	2	
34	90430-17168	GASKET	2	
35	1RM-1112E-00	COVER, cylinder head 3	1	
36	90480-23444	GROMMET	2	
37	91316-06010	BOLT	1	
38	94701-00218	PLUG, spark (NGK BPR7ES)	2	UR
	94701-00220	PLUG, spark (ND W22EPR-U)	2	UR

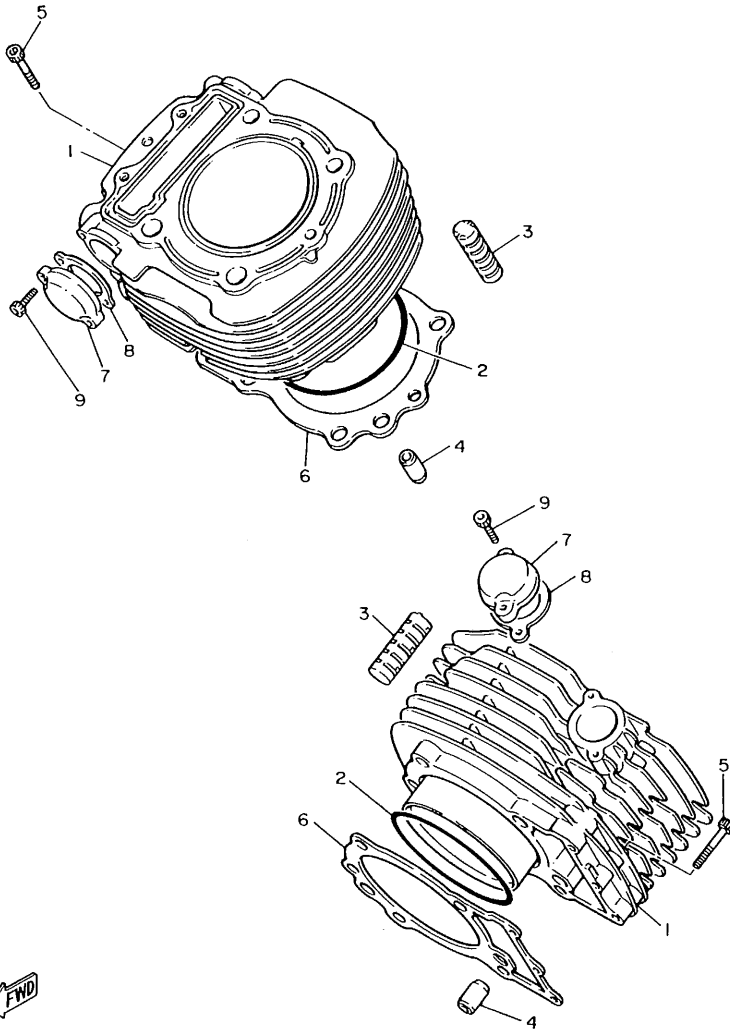


3DR1332-8010

B3

FIG. 2 CYLINDER

REF. NO.	PART NO.	DESCRIPTION	Q'TY	REMARKS
1	1TA-11310-00	CYLINDER	2	
2	93211-01467	O-RING	2	
3	4X7-11161-00	ABSORBER 1	4	
4	90387-087A5	COLLAR	4	
5	91311-06040	BOLT	6	
6	5A8-11351-00	GASKET, cylinder	2	
7	4X7-12215-00	CAP, tensioner case	2	
8	4X7-12213-00	GASKET, tensioner case	2	
9	91311-06025	BOLT	4	

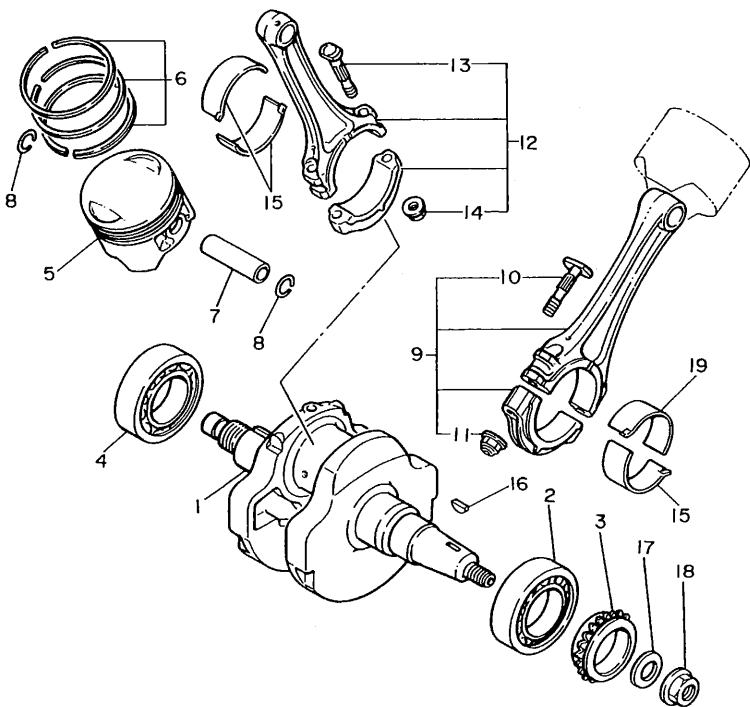


1TE110-6020

B4

FIG. 3 CRANKSHAFT. PISTON

REF. NO.	PART NO.	DESCRIPTION	Q'TY	REMARKS
1	1TA-11411-00	CRANKSHAFT	1	
2	93306-30807	BEARING (B6308C4 SPECIAL)	1	
3	4X7-13354-00	SPROCKET, drive	1	
4	93306-30806	BEARING (B6308C3 SPECIAL)	1	
5	1TA-11631-00-A0	PISTON (STD)	2	
	1TA-11636-00	PISTON (0.50MM O/S)	2	AP
	1TA-11638-00	PISTON (1.00MM O/S)	2	AP
6	1TA-11610-00	PISTON RING SET (STD)	2	
	1TA-11610-20	PISTON RING SET (0.50MM O/S)	2	AP
	1TA-11610-40	PISTON RING SET (1.00MM O/S)	2	AP
7	5A8-11633-00	PIN, piston	2	
8	93450-24028	CIRCLIP	4	
9	5A8-11650-00	CONNECTING ROD ASSY	1	
10	4X7-11654-01	.BOLT, connecting rod	2	
11	90179-09379	.NUT	2	
12	5A8-11660-00	CONNECTING ROD ASSY	1	
13	4X7-11654-01	.BOLT, connecting rod	2	
14	90179-09379	.NUT	2	
15	4X7-11656-00	PLANE BEARING, connecting rod	3	UR BLUE
	4X7-11656-10	PLANE BEARING, connecting rod	3	UR BLACK
	4X7-11656-20	PLANE BEARING, connecting rod	3	UR BROWN
	4X7-11656-30	PLANE BEARING, connecting rod	3	UR GREEN
	4X7-11656-40	PLANE BEARING, connecting rod	3	UR YELLOW
16	90280-05048	KEY, woodruff	1	
17	90201-165H4	WASHER, plate	1	
18	90179-16448	NUT	1	
19	5G5-11656-00	PLANE BEARING, connecting rod	1	UR BLACK
	5G5-11656-10	PLANE BEARING, connecting rod	1	UR BROWN

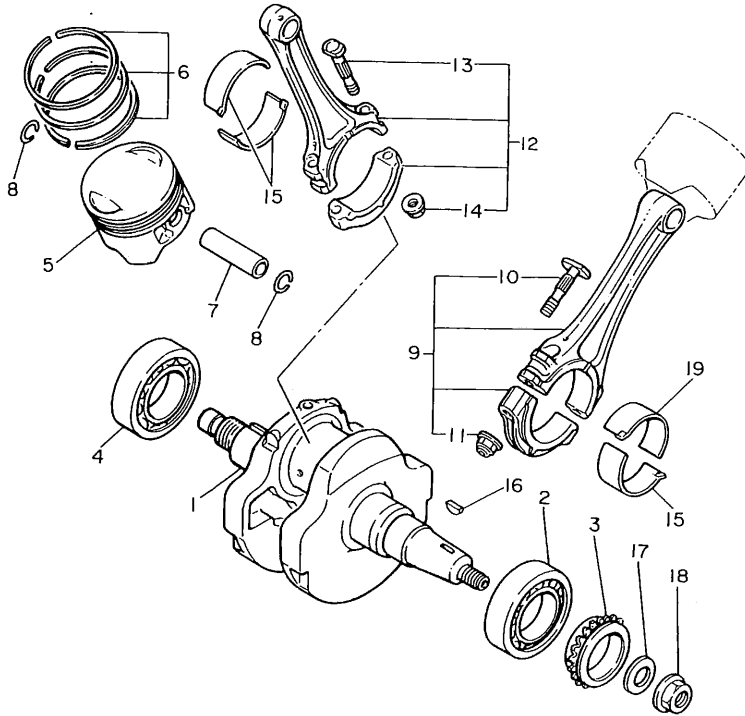


42G110-4030

B5

FIG. 3 CRANKSHAFT. PISTON

REF. NO.	PART NO.	DESCRIPTION	Q'TY	REMARKS
19	5G5-11656-20	PLANE BEARING, connecting rod	1	UR GREEN



42G110-4030

B6



5E3171-1050

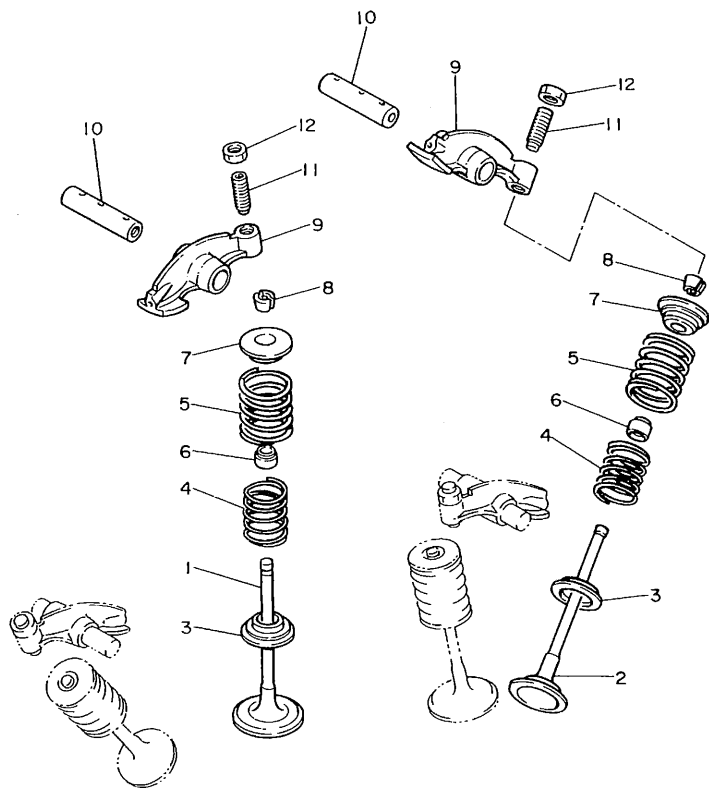


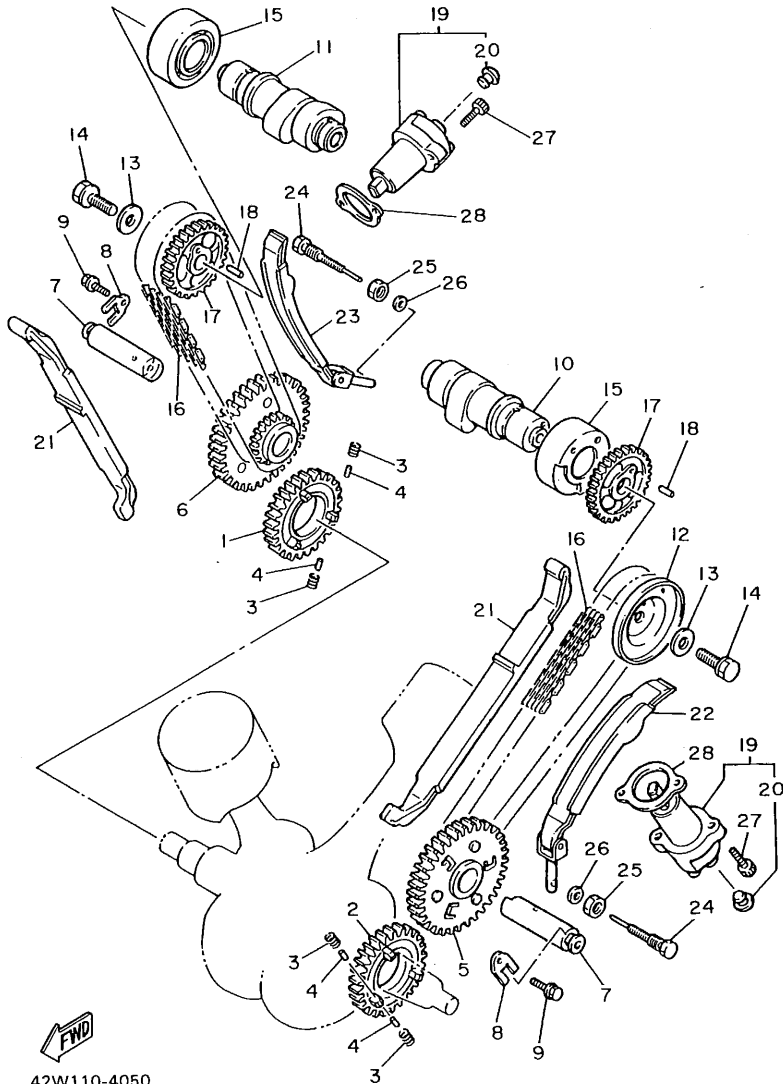
FIG. 4 VALVE

REF. NO.	PART NO.	DESCRIPTION	Q'TY	REMARKS
1	2J2-12111-01	VALVE, intake	2	
2	5A8-12121-00	VALVE, exhaust	2	
3	4X7-12116-00	SEAT, valve spring	4	
4	1TA-12113-00	SPRING, valve inner	4	
5	1TA-12114-00	SPRING, valve outer	4	
6	341-12119-02	SEAL, valve stem	4	
7	4X7-12117-00	RETAINER, valve spring	4	
8	4X7-12118-00	COTTER, valve	8	
9	42X-12151-00	ARM, valve rocker	4	
10	4X7-12156-01	SHAFT, rocker 2	4	
11	4X7-12159-00	SCREW, valve adjusting	4	
12	90170-08173	NUT	4	

B7

FIG. 5 CAMSHAFT. CHAIN

REF. NO.	PART NO.	DESCRIPTION	Q'TY	REMARKS
1	4X7-11536-00	GEAR, drive (35T)	1	
2	4X7-11534-00	GEAR, breaker drive (35T)	1	
3	90501-21133	SPRING, compression	12	
4	93605-10090	PIN, dowel	12	
5	4X7-11540-01	CAM CHAIN SPROCKET ASSY 20/50T	1	
6	4X7-11550-00	CAM CHAIN SPROCKET ASSY 20/50T	1	
7	4X7-12247-01	SHAFT, tensioner	2	
8	90209-06205	WASHER	2	
9	90105-06154	BOLT, washer based	2	
10	42H-12171-00	CAMSHAFT 1	1	
11	42H-12181-00	CAMSHAFT 2	1	
12	42X-11145-00	PLATE, breather 2	1	
13	90201-10774	WASHER, plate	2	
14	90101-10303	BOLT	2	
15	90380-25125	BUSH, solid	2	
16	94590-45098	CHAIN	2	
17	4X7-12176-00	SPROCKET, cam chain (28T)	2	
18	93604-10011	PIN, dowel	2	
19	4X7-12210-01	TENSIONER ASSY, cam chain	2	
20	90338-06121	.PLUG	1	
21	4X7-12231-00	GUIDE, stopper 1	2	
22	4X7-12241-00	GUIDE, stopper 2	1	
23	4X7-12221-00	GUIDE, stopper 3	1	
24	90109-08592	BOLT	2	
25	95303-08700	NUT	2	
26	92901-06600	WASHER, plate	2	
27	91311-06025	BOLT	4	
28	4X7-12213-00	GASKET, tensioner case	2	

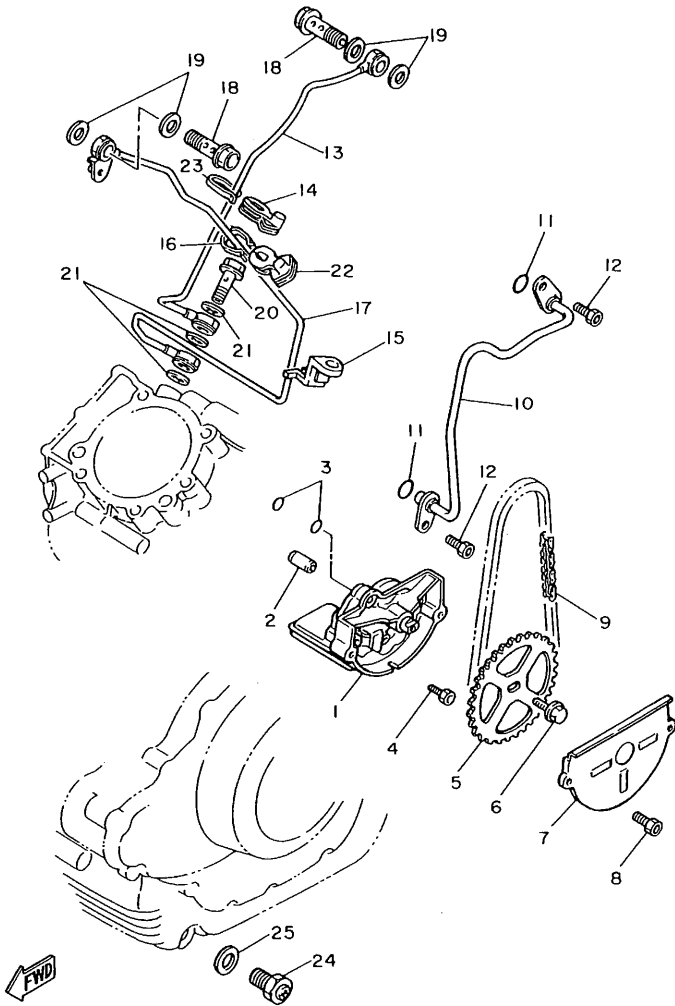


42W110-4050

B8

FIG. 6 OIL PUMP

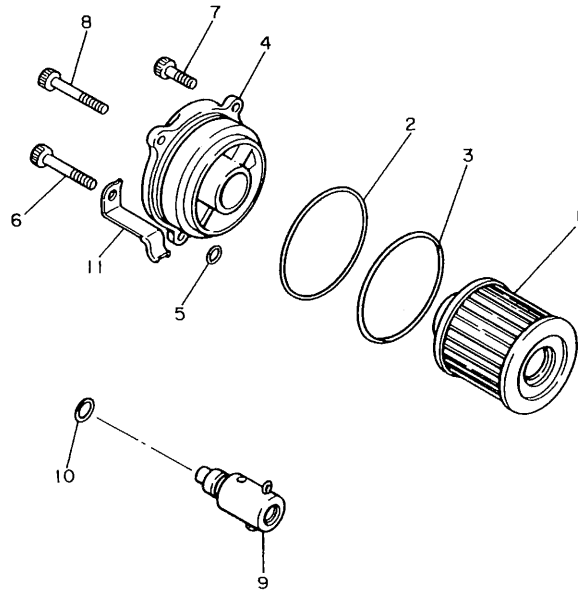
REF. NO.	PART NO.	DESCRIPTION	Q'TY	REMARKS
1	10L-13300-00	OIL PUMP ASSY	1	
2	99510-08016	PIN, dowel	1	
3	93210-07438	O-RING	2	
4	91316-06040	BOLT	3	
5	4X7-13355-00	SPROCKET, driven (35T)	1	
6	90105-06154	BOLT, washer based	1	
7	10L-13327-00	COVER, pump gear	1	
8	91316-06010	BOLT	2	
9	94580-25066	CHAIN	1	
10	4X7-13171-00	PIPE, delivery 2	1	
11	93210-07438	O-RING	2	
12	91316-06010	BOLT	2	
13	4X7-13405-00	OIL PIPE COMP. 1	1	
14	4X7-15485-01	CLAMP	1	
15	4X7-15484-00	CLAMP 2	1	
16	90468-05113	CLIP	1	
17	1RM-13406-00	OIL PIPE COMP. 2	1	
18	90401-16067	BOLT, union	2	
19	90430-17168	GASKET	4	
20	90401-10102	BOLT, union	1	
21	90430-15169	GASKET	3	
22	4X7-15485-01	CLAMP	1	
23	90468-05113	CLIP	1	
24	4X7-13455-00	PLUG	1	
25	214-11198-01	GASKET	1	



1RR110-6060

B9

FIG. 7 OIL CLEANER



REF. NO.	PART NO.	DESCRIPTION	Q'TY	REMARKS
1	4X7-13440-90	ELEMENT ASSY, oil cleaner	1	
2	93210-56459	O-RING	1	
3	93210-54452	O-RING	1	
4	1RM-13447-00	COVER, oil element	1	
5	93210-07135	O-RING	1	
6	90109-06678	BOLT	1	
7	91311-06020	BOLT	1	
8	91311-06050	BOLT	1	
9	11H-13490-00	RELIEF VALVE ASSY	1	
10	93210-10096	O-RING	1	
11	90462-10098	CLAMP	1	

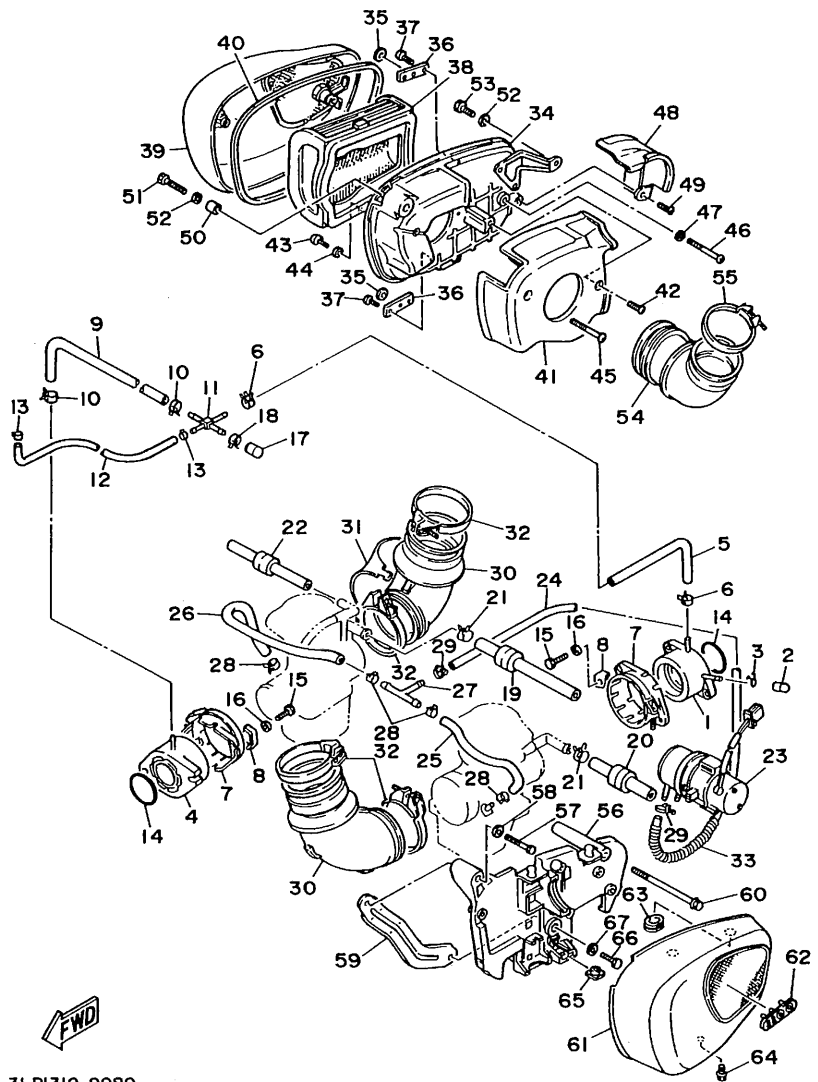


5E3171-1070

B10

FIG. 8 INTAKE

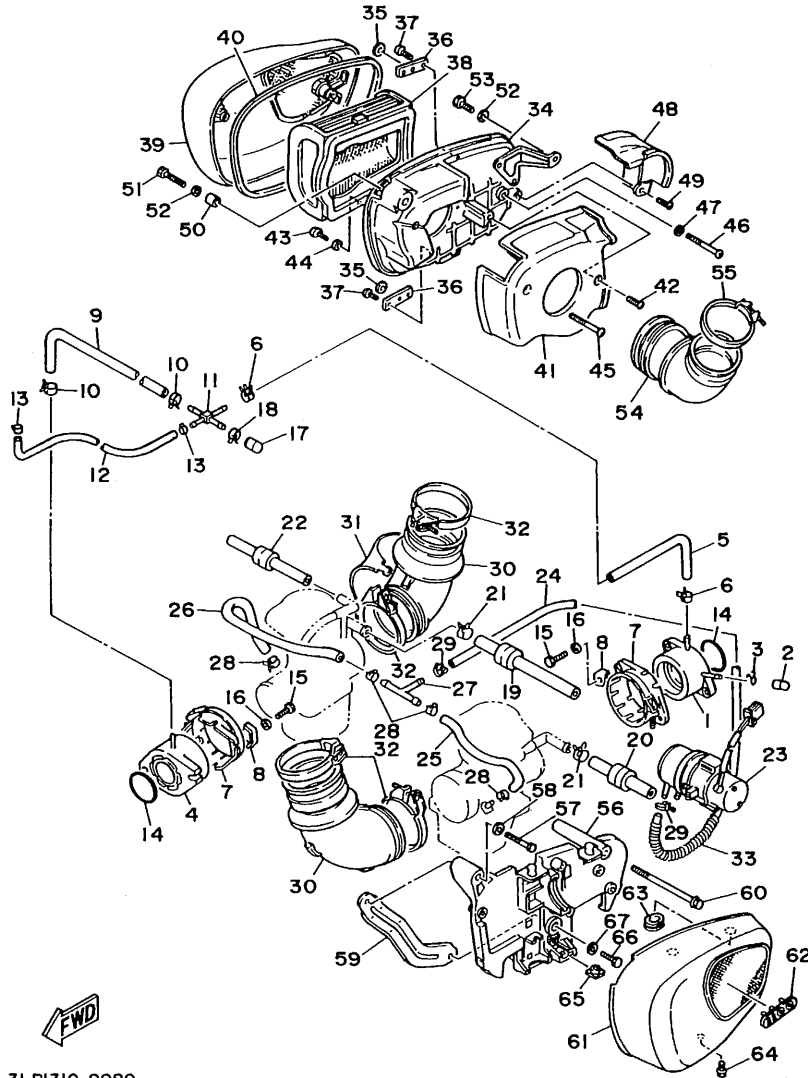
REF. NO.	PART NO.	DESCRIPTION	Q'TY	REMARKS
1	1TA-13586-00	JOINT, carburetor 1	1	
2	16G-13569-00	PLUG, blind	1	
3	90467-10039	CLIP	1	
4	24M-13586-01	JOINT, carburetor 1	1	
5	3CG-13542-00	HOSE, vacuum sensing 1	1	
6	90467-08092	CLIP	2	
7	42X-13564-01	COVER, manifold	2	
8	42X-13578-00	WASHER	2	
9	42X-13544-00	HOSE, vacuum sensing 2	1	
10	90467-08092	CLIP	2	
11	1TA-13595-00	JOINT	1	
12	42H-13532-00	HOSE, vacuum sensing 3	1	
13	90467-07093	CLIP	2	
14	93210-44545	O-RING	2	
15	97016-06020	BOLT	4	
16	92906-06600	WASHER, plate	4	
17	16G-13569-00	PLUG, blind	1	
18	90467-10039	CLIP	1	
19	3CG-14197-00	PIPE	1	
20	3CG-14987-00	HOSE	1	
21	90467-14057	CLIP	2	
22	3CG-14396-00	PIPE	1	
23	42H-13907-00	FUEL PUMP COMP.	1	
24	42H-13971-00	PIPE, fuel 1	1	
25	1TA-14349-00	PIPE	1	
26	1TA-14348-00	PIPE 1	1	
27	90413-07023	WAY 3	1	
28	90467-10091	CLIP	4	



3LPI310-9080

B11

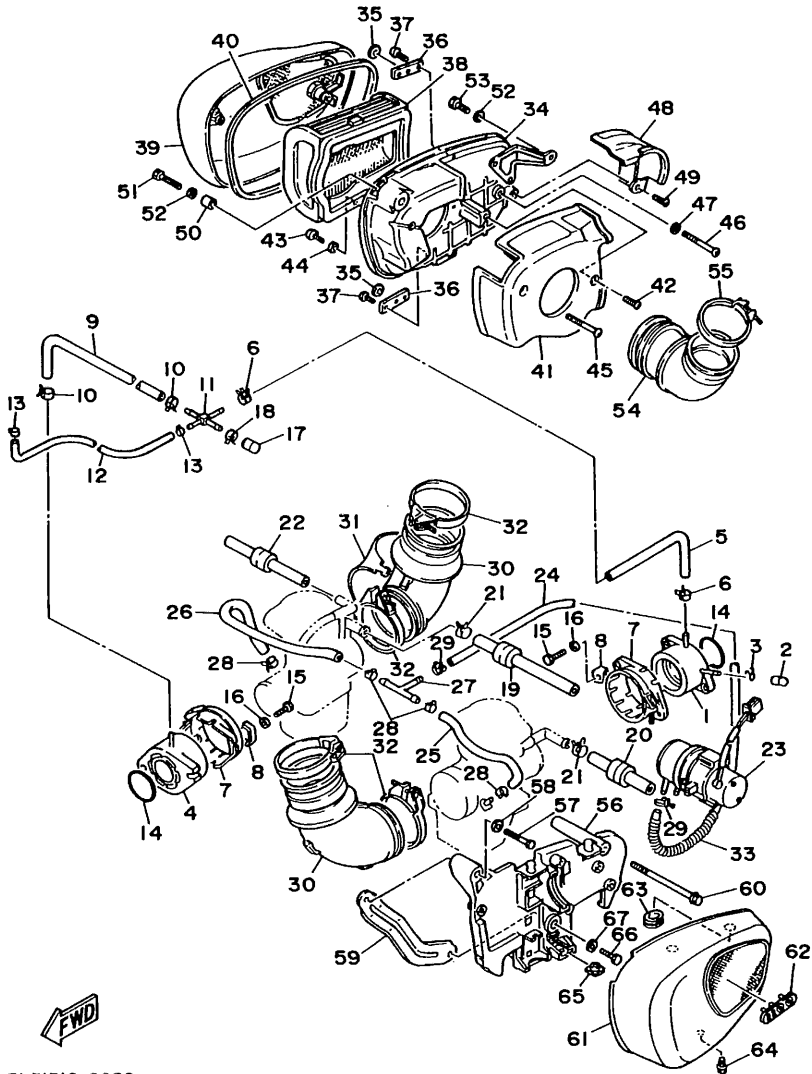
FIG. 8 INTAKE



REF. NO.	PART NO.	DESCRIPTION	Q'TY	REMARKS
29	90460-12256	CLAMP, hose	2	
30	10L-14453-01	JOINT, air cleaner 1	2	
31	10L-14407-00	COVER, joint	1	
32	90460-65195	CLAMP, hose	4	
33	90501-102A4	SPRING, compression	1	
34	42X-14401-01	AIR CLEANER CASE ASSY	1	
35	92901-04600	WASHER, plate	2	
36	42X-14477-00	PLATE	2	
37	97780-40112	SCREW, tapping	4	
38	42X-14451-00	ELEMENT, air cleaner	1	
39	1RM-14422-00	CAP, cleaner case 2	1	
40	42X-14452-00	SEAL	1	
41	1TA-1441A-00	COVER, cleaner case 1	1	
42	97706-50508	SCREW, tapping	1	
43	98501-05012	SCREW, pan head	1	
44	92901-05600	WASHER, plate	1	
45	98506-06080	SCREW, pan head	1	
46	92506-06050	SCREW, pan head	1	
47	92906-06600	WASHER, plate	1	
48	1TA-1441E-00	COVER, cleaner case 2	1	
49	97706-50508	SCREW, tapping	1	
50	90387-07598	COLLAR	1	
51	90110-06138	BOLT, hexagon socket head	1	
52	92906-06200	WASHER, plain	2	
53	91316-06012	BOLT	1	
54	42X-14485-00	PIPE, joint	1	
55	90460-65195	CLAMP, hose	1	
56	42X-14663-02	PLATE, air cleaner	1	

3LPI310-9080

B12



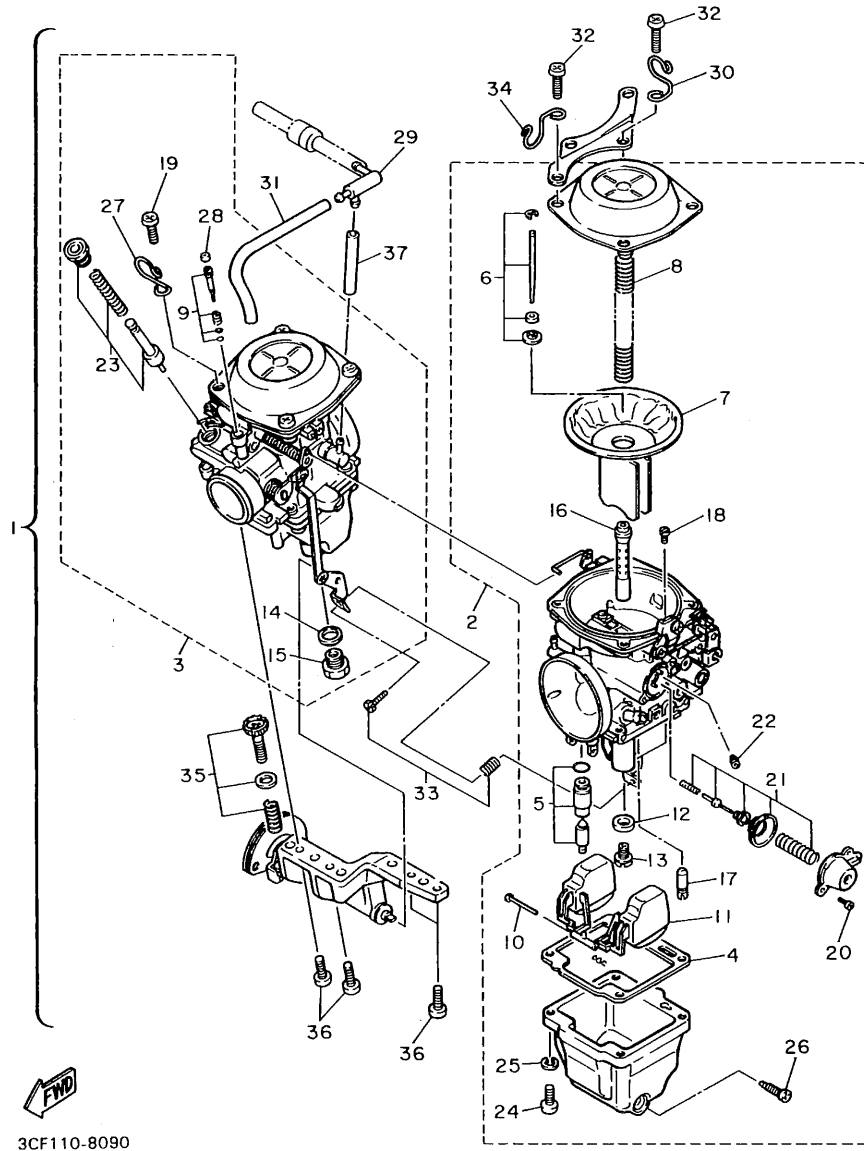
3LPI310-9080

FIG. 8 INTAKE

REF. NO.	PART NO.	DESCRIPTION	Q'TY	REMARKS
57	91312-06090	BOLT	1	
58	92906-06200	WASHER, plain	1	
59	42X-14484-00	PLATE, cleaner case fitting	1	
60	95802-06025	BOLT, flange	1	
61	1RM-14603-00	COVER 1	1	
62	1TA-1441K-00	EMBLEM	1	
63	90480-14074	GROMMET	2	
64	95821-06014	BOLT, flange	1	
65	12R-14484-01	PLATE, cleaner case fitting	1	
66	91316-06035	BOLT	1	
67	92906-06200	WASHER, plain	1	

B13

FIG. 9 CARBURETOR



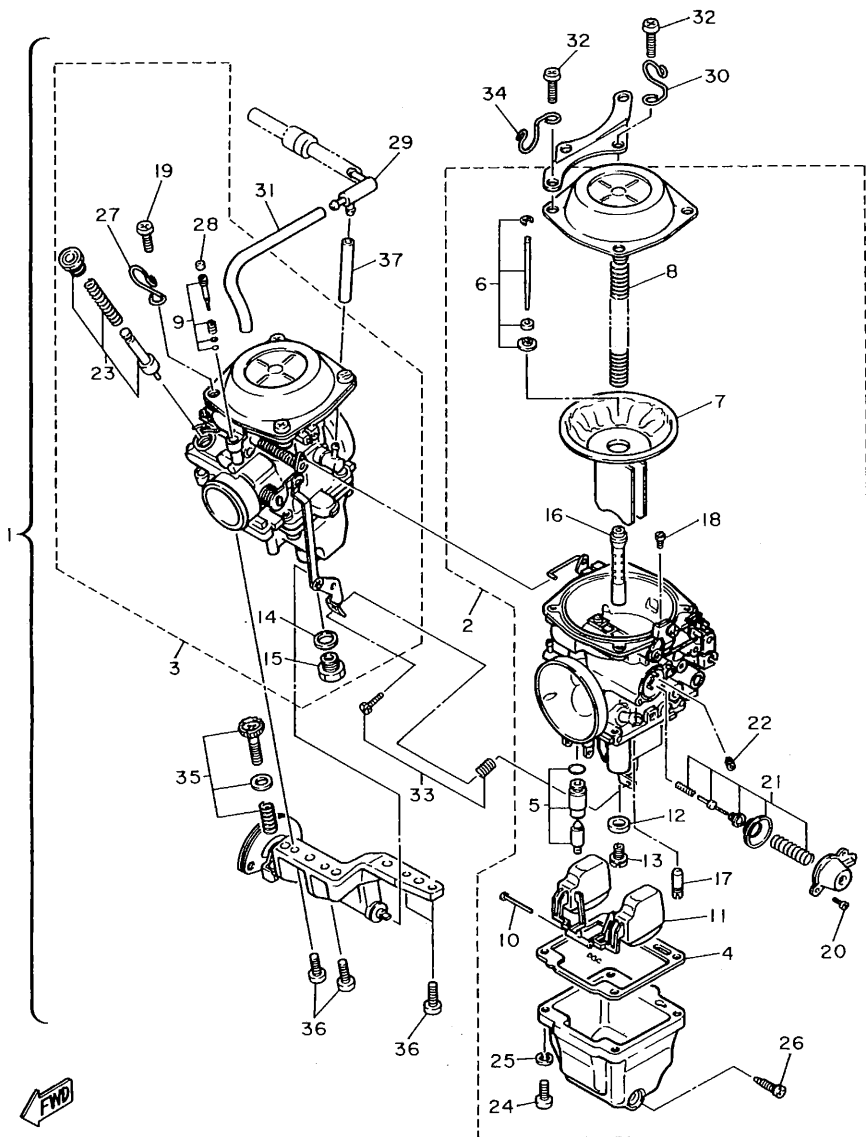
REF. NO.	PART NO.	DESCRIPTION	Q'TY	REMARKS
1	3LP-14900-00	CARBURETOR ASSY	1	
2	3LP-14901-00	..CARBURETOR ASSY 1	1	
3	3LP-14902-00	..CARBURETOR ASSY 2	1	
4	3CF-14984-00	..GASKET, float chamber	1	
5	3CF-14107-15	..NEEDLE VALVE SET	1	
6	3CN-1490J-00	..NEEDLE SET	1	
7	3CF-14940-00	..DIAPHRAGM ASSY	1	
8	3CF-14933-00	..SPRING, diaphragm	1	
9	12R-14105-00	..PILOT SCREW SET	1	
10	537-14186-00	..PIN, float	1	
11	2VA-14185-00	..FLOAT	1	
12	137-14153-00	..WASHER, main jet	1	
13	3CF-14991-00	..SCREW	1	
14	256-14954-00	..WASHER	1	
15	620-14231-25-A0	..JET, main (#125)	1	UR
	620-1423A-75	..JET, main (#122.5)	1	UR
16	3CF-14141-93	..NOZZLE, main	1	
17	460-14142-40	..JET, pilot (# 40)	1	
18	362-14231-12	..JET, power (# 60)	1	
19	98501-05010	..SCREW, pan head	4	
20	98580-04008	..SCREW, pan head	2	
21	3CF-1490H-00	..DIAPHRAGM SET, 5	1	
22	1HX-14231-28	..JET, main (#140)	1	
23	3CF-1410A-00	..STARTER SET	1	
24	98506-05014	..SCREW, pan head	4	
25	92990-05100	..WASHER, spring	4	
26	12R-14191-00	..PLUG, drain	1	
27	2JU-14937-00	..CLIP	1	

3CF110-8090

B14

FIG. 9 CARBURETOR

REF. NO.	PART NO.	DESCRIPTION	Q'TY	REMARKS
28	22F-14991-00	.CAP	1	
29	3CF-14251-00	.NIPPLE	1	
30	3CF-14937-00	.CLIP	1	
31	3CG-14197-00	.PIPE	1	
32	98501-05012	.SCREW, pan head	4	
33	3CF-1490K-00	.STOP SCREW SET	1	
34	3CF-14919-00	.CLIP	1	
35	3CF-14103-00	.THROTTLE SCREW SET	1	
36	98506-05014	.SCREW, pan head	4	
37	3CF-14197-00	.PIPE	1	



3CF110-8090

B15



2TN361-7100

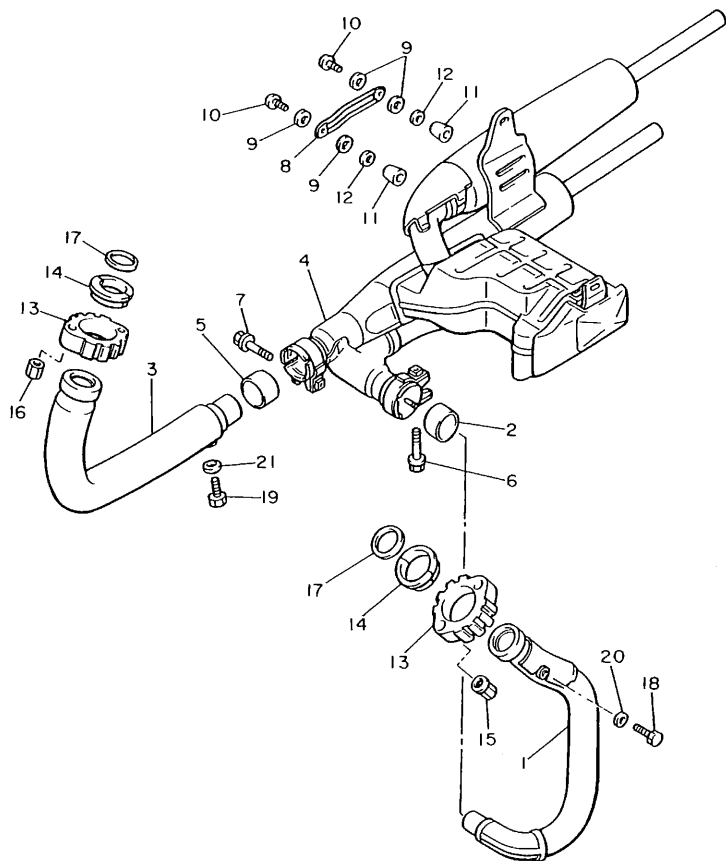
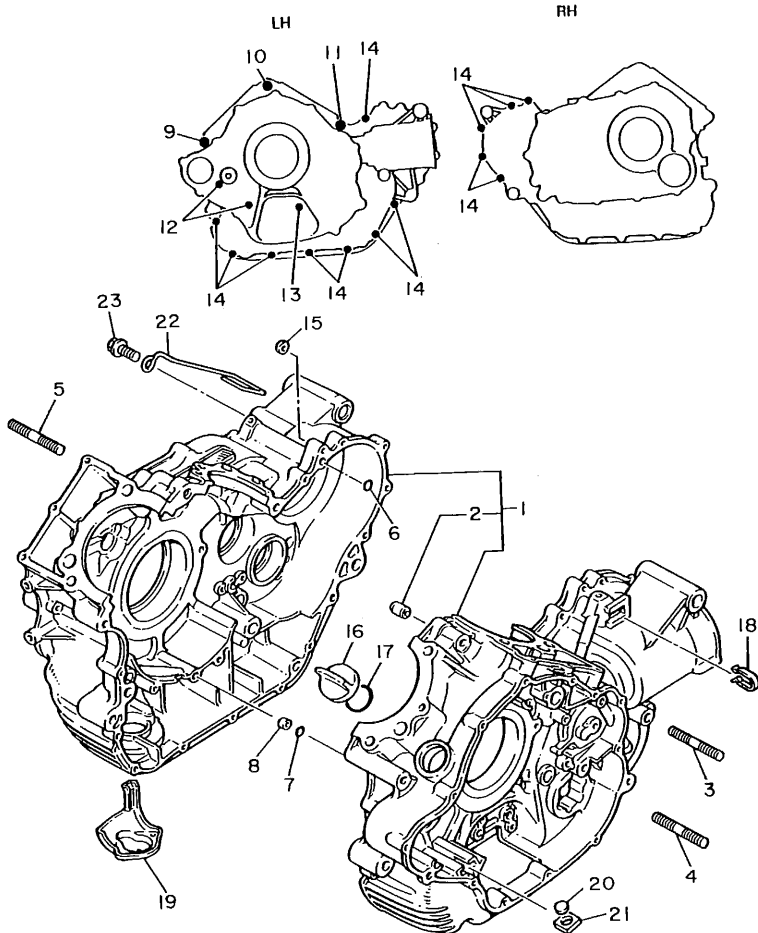


FIG. 10 EXHAUST

REF. NO.	PART NO.	DESCRIPTION	Q'TY	REMARKS
1	42H-14611-00	PIPE, exhaust 1	1	
2	^{3EG} 42X -14714-00	GASKET, muffler	1	
3	1TA-14621-00	PIPE, exhaust 2	1	
4	2TN-14711-00	MUFFLER 1	1	
5	^{3YF} 34K -14714-00	GASKET, muffler	1	
6	95023-08045	BOLT	1	
7	95023-08045	BOLT	1	
8	42X-14748-01	PROTECTOR, muffler 4	1	
9	3RW-14766-00	WASHER, protector	4	
10	98903-06010	SCREW, bind	2	
11	42X-1479H-00	COVER, 1	2	
12	92990-06200	WASHER, plain	2	
13	57A-14612-01	NUT, ring	2	
14	42X-1468A-00	RING, silencer 1	2	
15	90179-08210	NUT	2	
16	90179-08507	NUT	2	
17	4X7-14613-00	GASKET, exhaust pipe	2	
18	90101-06576	BOLT	1	
19	90101-06576	BOLT	1	
20	92906-06600	WASHER, plate	1	
21	92906-06600	WASHER, plate	1	

FIG. 11 CRANKCASE

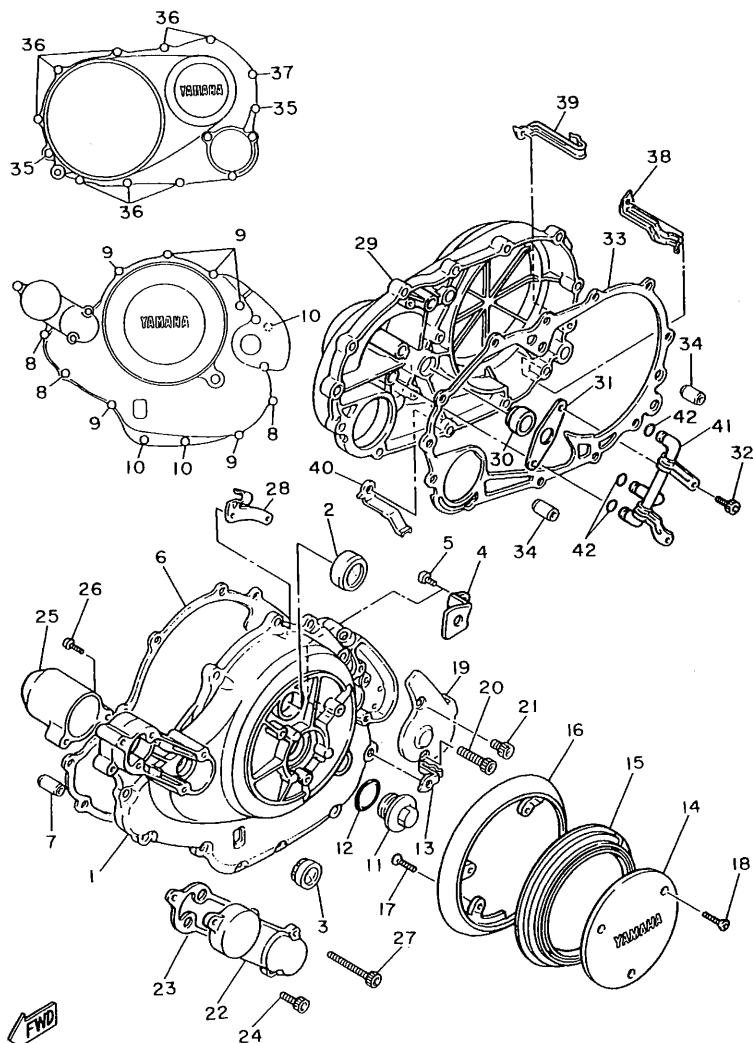


REF. NO.	PART NO.	DESCRIPTION	Q'TY	REMARKS
1	42H-15100-02	CRANKCASE ASSY	1	
2	99510-14016	.PIN, dowel	3	
3	95611-10620	BOLT, stud	1	
4	95611-10620	BOLT, stud	1	
5	95611-10670	BOLT, stud	1	
6	93210-07438	O-RING	1	
7	93210-07135	O-RING	1	
8	90387-064E8	COLLAR	1	
9	91311-10100	BOLT	1	
10	91311-10070	BOLT	1	
11	91311-10060	BOLT	1	
12	91311-06080	BOLT	2	
13	91311-06055	BOLT	1	
14	91311-06030	BOLT	13	
15	90430-06014	GASKET	1	
16	57A-15363-11	PLUG, oil	1	
17	93210-29198	O-RING	1	
18	90465-10168	CLAMP	1	
19	4X7-15491-00	PROTECTOR	1	
20	4X7-13419-00	PLUG	1	
21	90480-20302	GROMMET	1	
22	42X-21164-00	HOLDER, cable	1	
23	90105-10275	BOLT, washer based	1	



42G110-4110

C3



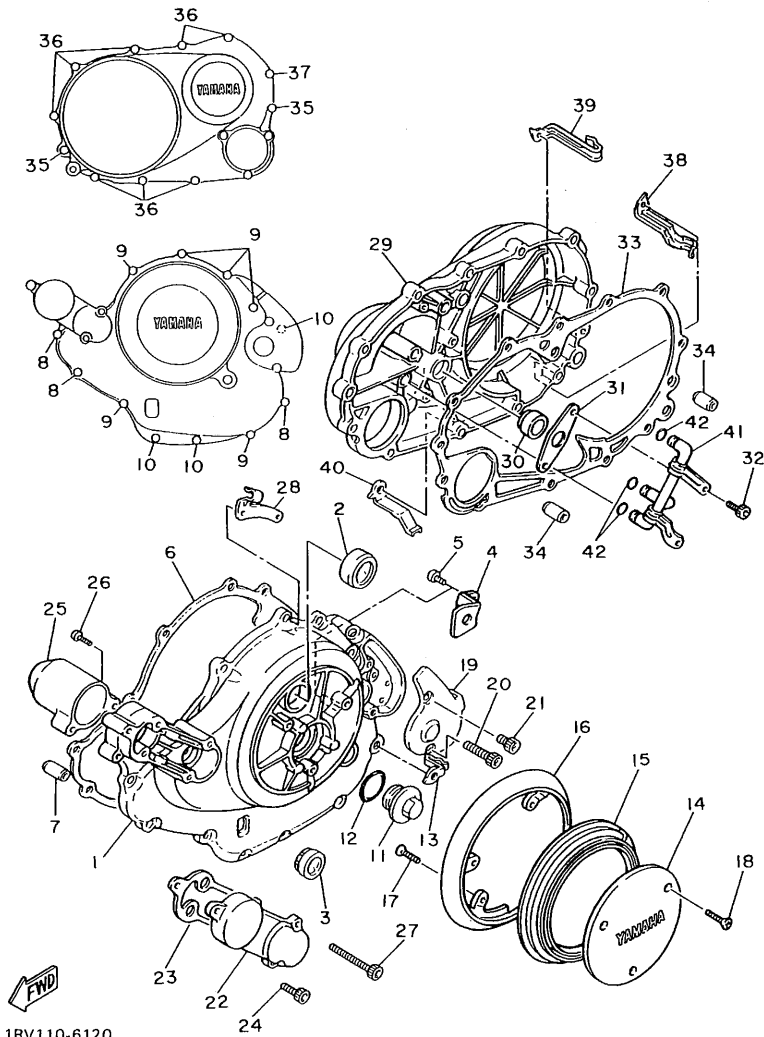
1RV110-6120

FIG. 12 CRANKCASE COVER 1

REF. NO.	PART NO.	DESCRIPTION	Q'TY	REMARKS
1	1RM-15411-01	COVER, crankcase 1	1	
2	4X7-15361-00	GAUGE, level	1	
3	2H7-15361-00	GAUGE, level	1	
4	90465-08309	CLAMP	1	
5	98501-06010	SCREW, pan head	1	
6	4X7-15451-00	GASKET, crankcase cover 1	1	
7	99530-10014	PIN, dowel	2	
8	91311-06040	BOLT	3	
9	91311-06030	BOLT	6	
10	91311-06020	BOLT	3	
11	1L9-11186-00	COVER, cylinder head side 2	1	
12	93210-32172	O-RING	1	
13	90462-08076	CLAMP	1	
14	1RM-15415-00	COVER, generator	1	
15	1RM-15455-00	GASKET 1	1	
16	3JK-15425-00	COVER, generator 2	1	
17	98603-06016	SCREW, oval head	3	
18	98701-06014	SCREW, flat head	3	
19	42X-15417-01	COVER, cap	1	
20	91311-06055	BOLT	1	
21	91311-06016	BOLT	1	
22	1RM-15419-00	COVER, shifter 1	1	
23	1RM-15459-00	GASKET, shifter cover	1	
24	91311-06016	BOLT	2	
25	3CG-15429-00	COVER, shifter	1	
26	98501-06030	SCREW, pan head	2	
27	91311-06065	BOLT	1	
28	42X-15441-00	HOLDER, clutch cable	1	

FIG. 12 CRANKCASE COVER 1

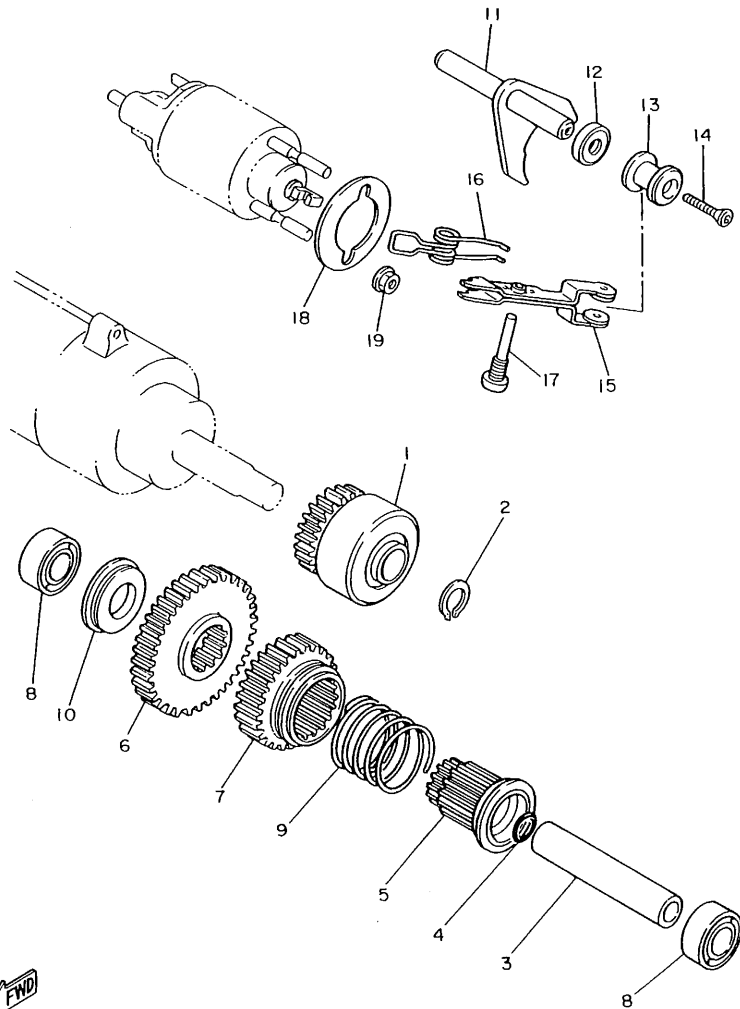
REF. NO.	PART NO.	DESCRIPTION	Q'TY	REMARKS
29	3JK-W1542-00	COVER, crankcase 3	1	
30	93101-14102	OIL SEAL	1	
31	4X7-15388-00	PLATE, bearing cover	1	
32	91316-06016	BOLT	2	
33	4X7-15462-00	GASKET, crankcase cover 3	1	
34	99530-10020	PIN, dowel	2	
35	91311-06040	BOLT	2	
36	91311-06025	BOLT	8	
37	91311-06030	BOLT	1	
38	90462-10143	CLAMP	1	
39	90462-10085	CLAMP	2	
40	90462-12142	CLAMP	1	
41	1RM-13161-00	PIPE, delivery 1	1	
42	93210-07438	O-RING	3	



1RV110-6120

C5

FIG. 13 STARTER CLUTCH



REF. NO.	PART NO.	DESCRIPTION	Q'TY	REMARKS
1	1TA-15570-00	STARTER CLUTCH ASSY	1	
2	99009-13400	CIRCLIP	1	
3	4X7-15521-00	SHAFT 1	1	
4	93210-14104	O-RING	1	
5	5A8-15524-00	WHEEL, starter (23T)	1	
6	1TA-15512-00	GEAR, idler 1	1	
7	5A8-15517-00	GEAR, idler 2 (27T)	1	
8	90387-172E5	COLLAR	2	
9	90501-15636	SPRING, compression	1	
10	90387-170E5	COLLAR	1	
11	5A8-15550-00	DRIVE LEVER ASSY	1	
12	93102-10247	OIL SEAL	1	
13	5A8-15542-00	COLLAR 2	1	
14	90151-06013	SCREW, countersunk	1	
15	5A8-15556-00	LEVER, drive	1	
16	90508-26494	SPRING, torsion	1	
17	90149-08166	SCREW	1	
18	5A8-15568-00	GASKET	1	
19	95701-06500	NUT, flange	2	

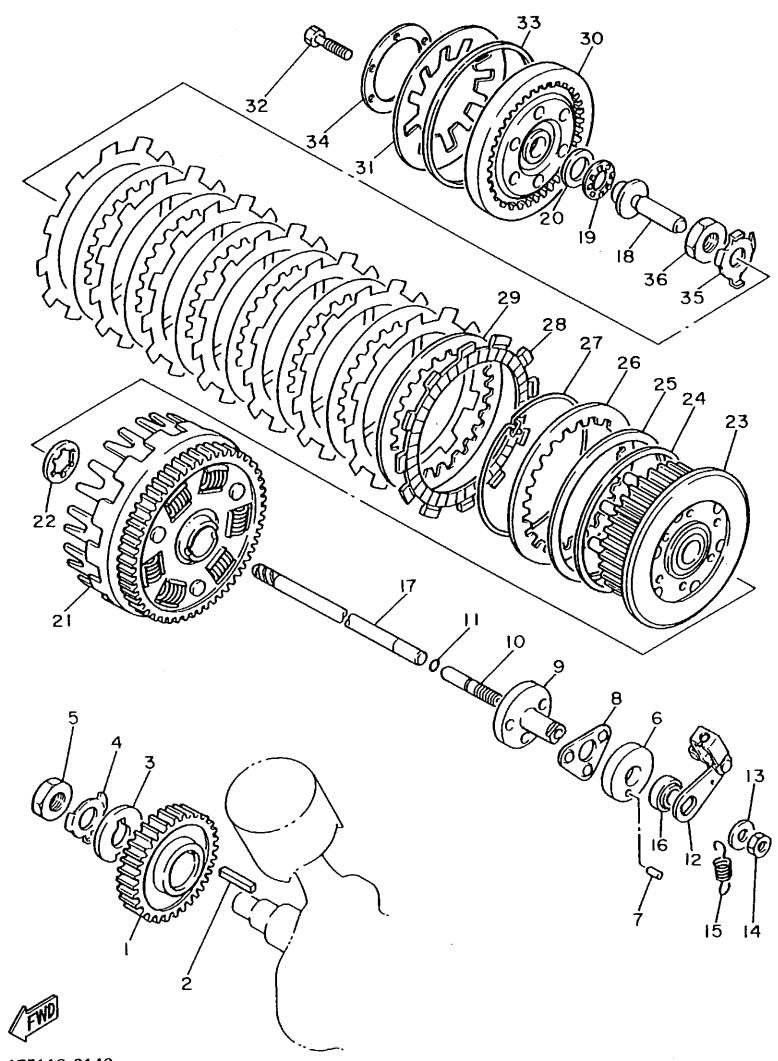


1RR110-6130

C6

FIG. 14 CLUTCH

REF. NO.	PART NO.	DESCRIPTION	Q'TY	REMARKS
1	4X7-16111-00	GEAR, primary drive (47T)	1	
2	90282-07042	KEY, straight	1	
3	90214-20022	WASHER, claw	1	
4	90215-20182	WASHER, lock	1	
5	90170-20274	NUT	1	
6	2H7-16396-00	HOUSING, push screw	1	
7	93606-07082	PIN, dowel	1	
8	2H7-16395-01	RETAINER, ball	1	
9	2H7-16341-00	SCREW, push	1	
10	2H7-16343-00	SCREW, adjusting	1	
11	93210-48364	O-RING	1	
12	4X7-16340-00	PUSH LEVER ASSY	1	
13	92901-08200	WASHER, plain	1	
14	95303-08700	NUT	1	
15	90506-10069	SPRING, tension	1	
16	93104-14059	OIL SEAL	1	
17	4X7-16357-00	ROD, push 2	1	
18	4X7-16356-00	ROD, push 1	1	
19	93340-21505	BEARING, thrust	1	
20	90201-154E9	WASHER, plate	1	
21	4X7-16150-02	PRIMARY DRIVEN GEAR COMP.	1	
22	3Y1-16154-00	PLATE, thrust 1	1	
23	1TA-16371-00	BOSS, clutch	1	
24	4X7-16384-00	PLATE, seat	1	
25	4X7-16383-01	SPRING, clutch boss	1	
26	4X7-16324-00	PLATE, clutch 1	1	
27	4X7-16385-00	RING, clutch boss	1	
28	22U-16321-00	PLATE, friction	8	

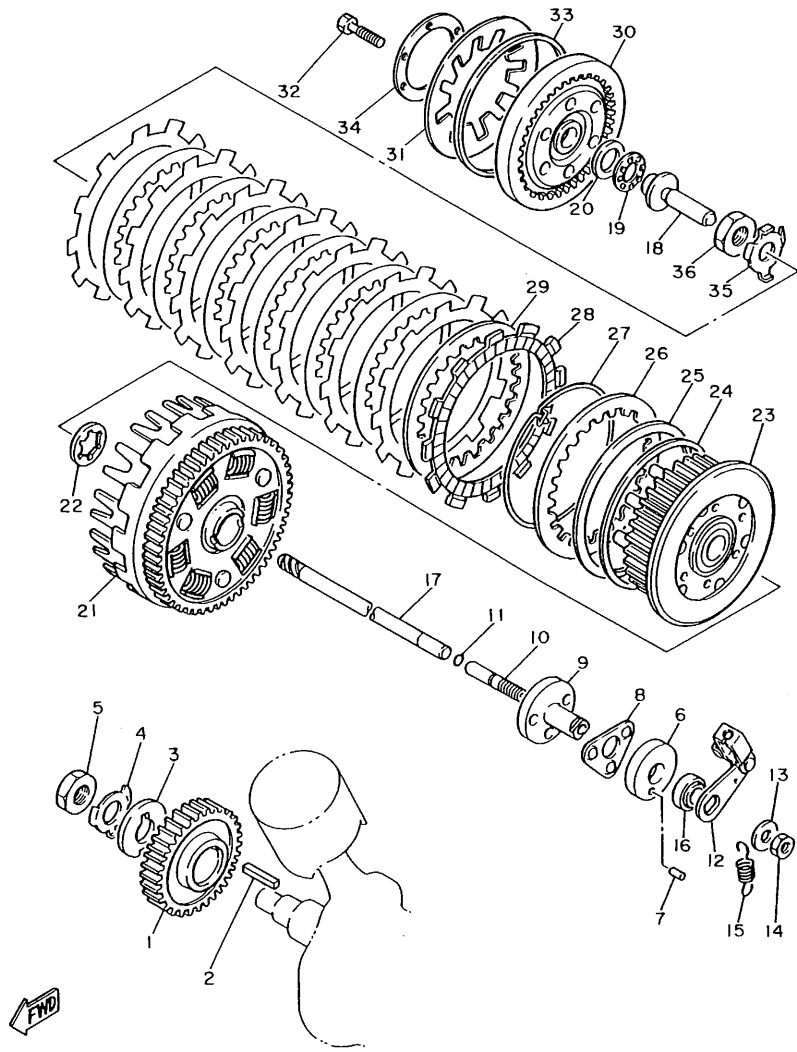


1TE110-6140

C7

FIG. 14 CLUTCH

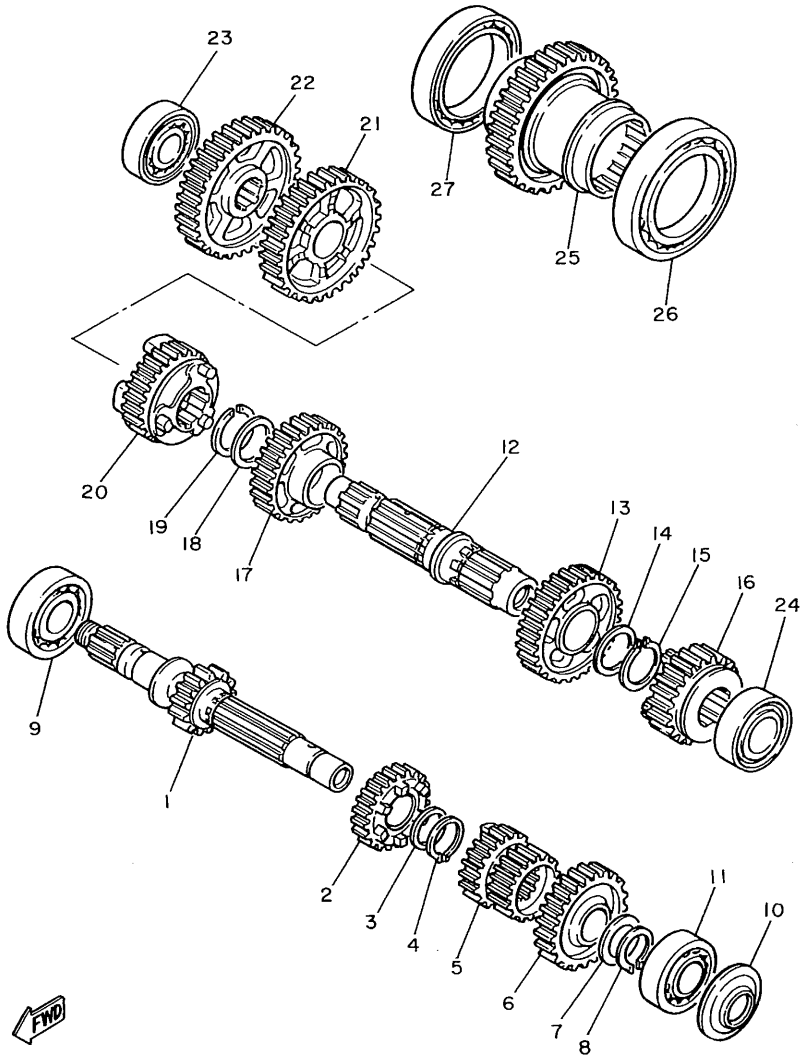
REF. NO.	PART NO.	DESCRIPTION	Q'TY	REMARKS
29	1TA-16325-00	PLATE, clutch 2	7	
30	1TA-16351-00	PLATE, pressure 1	1	
31	1TA-16334-00	SPRING, clutch 2	1	
32	97021-06025	BOLT	6	
33	1TA-16335-00	HOUSING, spring	1	
34	1TA-16352-00	PLATE, pressure 2	1	
35	90215-20231	WASHER, lock	1	
36	90170-20327	NUT	1	



1TE110-6140

FIG. 15 TRANSMISSION

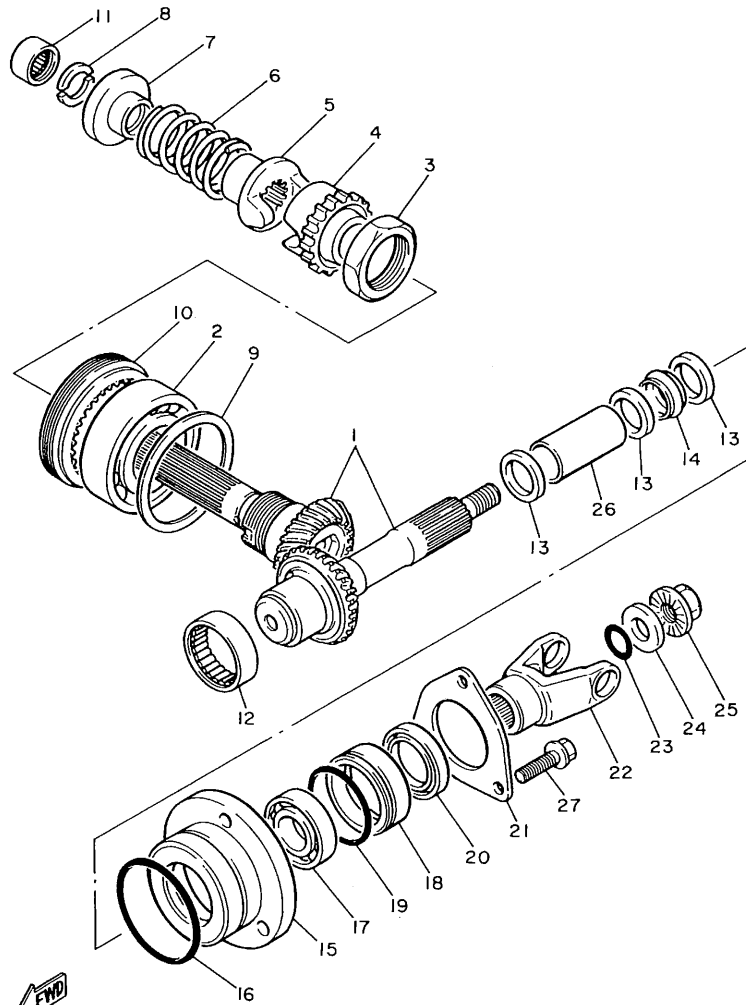
REF. NO.	PART NO.	DESCRIPTION	Q'TY	REMARKS
1	1TA-17411-00	AXLE, main	1	
2	4X7-17141-00	GEAR, 4th pinion (31T)	1	
3	90209-22191	WASHER	1	
4	93410-25010	CIRCLIP	1	
5	4X7-17121-00	GEAR, 2nd/3rd pinion (24/28T)	1	
6	42X-17151-00	GEAR, 5th pinion (34T)	1	
7	90201-20276	WASHER, plate (1.0T)	1	
8	99009-20400	CIRCLIP	1	
9	93306-30525	BEARING (B6305)	1	
10	93104-20068	OIL SEAL	1	
11	93306-30424	BEARING (B6304A3)	1	
12	4X7-17402-00	DRIVE AXLE ASSY	1	
13	4X7-17221-00	GEAR, 2nd wheel (40T)	1	
14	90209-27192	WASHER	1	
15	93440-30077	CIRCLIP	1	
16	42X-17251-00	GEAR ,5th wheel (29T)	1	
17	4X7-17231-00	GEAR, 3rd wheel (36T)	1	
18	90209-27192	WASHER	1	
19	93440-30077	CIRCLIP	1	
20	4X7-17241-00	GEAR, 4th wheel (32T)	1	
21	1TA-17211-00	GEAR, 1st wheel (39T)	1	
22	23W-17582-00	GEAR, middle drive (46T)	1	
23	93306-20401	BEARING (B6204)	1	
24	93306-20550	BEARING (B6205DU8)	1	
25	23W-17583-00	GEAR, middle driven (45T)	1	
26	93316-01201	BEARING (B16012)	1	
27	93306-91201	BEARING (B6912)	1	



5E3171-1170

C9

FIG. 16 MIDDLE DRIVE GEAR



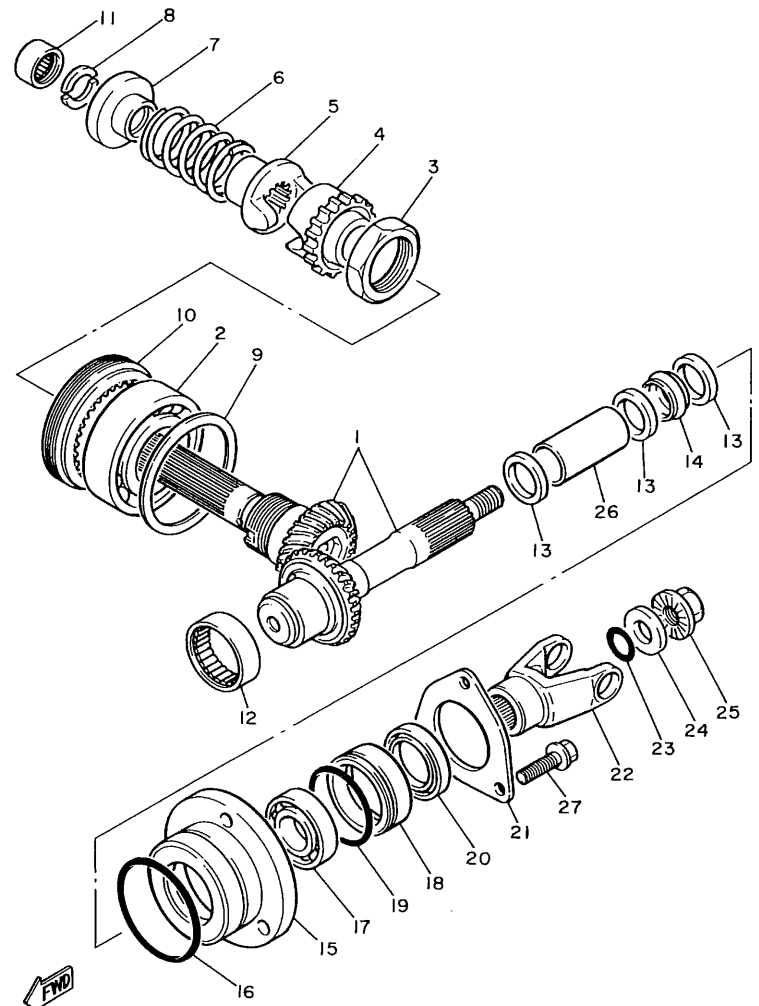
FYD
10L110-2180

REF. NO.	PART NO.	DESCRIPTION	Q'TY	REMARKS
1	1TA-Y1757-00	MIDDLE GEAR COMP.	1	
2	93306-20901	BEARING (B6209RSH2-C2)	1	
3	90179-44328	NUT	1	
4	42X-17526-01	CAM, drive	1	
5	31A-17527-00	CAM, driven	1	
6	90501-70762	SPRING, compression	1	
7	4X7-17524-00	HOLDER	1	
8	3H5-17529-00	WASHER, thrust	2	
9	4X7-17531-00-15	SHIM, pinion (0.15T)	1	UR
	4X7-17531-00-30	SHIM, pinion (0.30T)	1	UR
	4X7-17531-00-50	SHIM, pinion (0.50T)	1	UR
10	90179-88336	NUT	1	
11	93317-22021	BEARING, cylindrical	1	
12	93311-44051	BEARING, cylindrical	1	
13	90201-255A6	WASHER, plate	3	
14	1J7-46129-Y1	SPACER, expansion	1	
15	11H-17551-00	HOUSING, bearing	1	
16	93210-71360	O-RING	1	
17	93306-20548	BEARING (B6205RC2)	1	
18	4X7-17554-00	RETAINER, bearing	1	
19	93210-52449	O-RING	1	
20	93101-35099	OIL SEAL	1	
21	4X7-17558-00	PLATE, bearing	1	
22	4X7-17556-00	YOKE, joint	1	
23	93210-14359	O-RING	1	
24	90201-14633	WASHER, plate	1	
25	90179-14317	NUT	1	
26	90387-251E1	COLLAR	1	

C10

FIG. 16 MIDDLE DRIVE GEAR

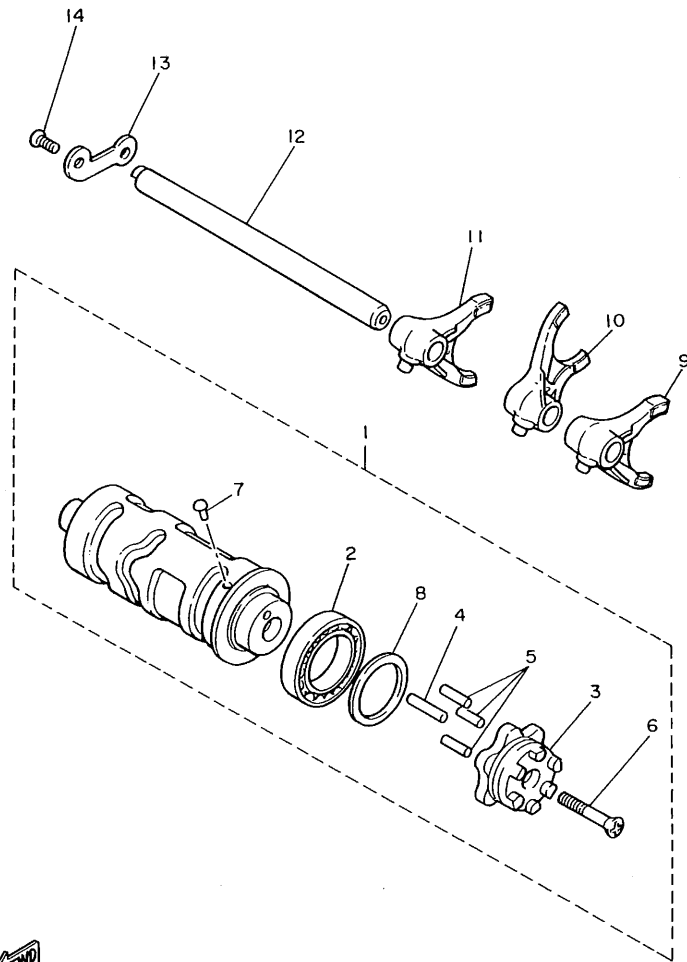
REF. NO.	PART NO.	DESCRIPTION	Q'TY	REMARKS
27	95811-08030	BOLT, flange	3	



FWD
10L110-2180

C11

FIG. 17 SHIFT CAM. FORK



REF. NO.	PART NO.	DESCRIPTION	Q'TY	REMARKS
1	4X7-18540-01	SHIFT CAM ASSY	1	
2	93306-90602	.BEARING	1	
3	4G0-18185-01	.SEGMENT	1	
4	93604-20156	.PIN, dowel	1	
5	93604-16092	.PIN, dowel	3	
6	98701-05035	.SCREW, flat head	1	
7	136-18542-00	.POINT, neutral	1	
8	90201-30297	.WASHER, plate	1	
9	4X7-18511-00	FORK, shift 1	1	
10	4X7-18512-00	FORK, shift 2	1	
11	4X7-18513-00	FORK, shift 3	1	
12	4X7-18531-00	BAR, shift fork guide 1	1	
13	4X7-18536-00	STOPPER, shift bar	1	
14	98701-06014	SCREW, flat head	2	



5E3171-1190

C12

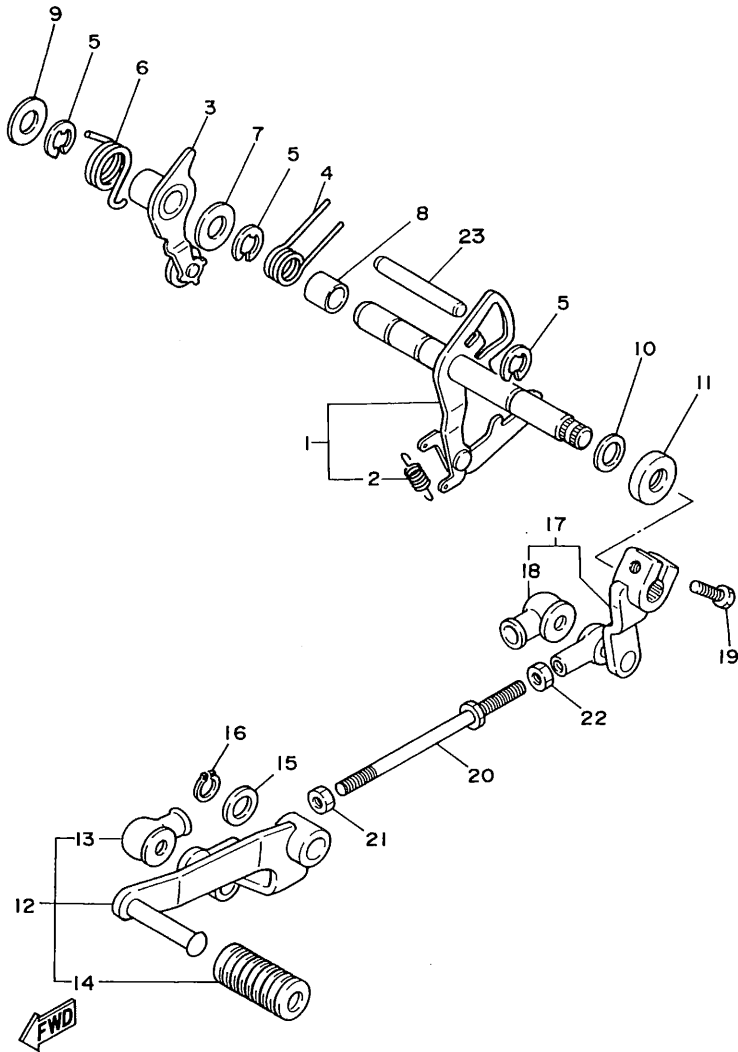
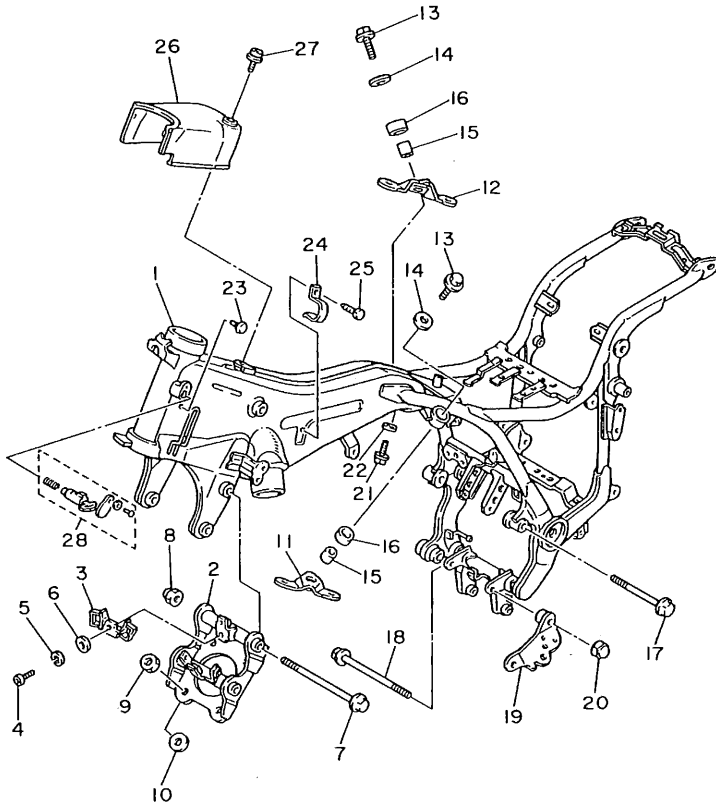


FIG. 18 SHIFT SHAFT

REF. NO.	PART NO.	DESCRIPTION	Q'TY	REMARKS
1	4X7-18120-01	SHIFT LEVER ASSY	1	
2	90506-08227	.SPRING, tension	1	
3	4X7-18140-00	STOPPER LEVER ASSY	1	
4	90508-32535	SPRING, torsion	1	
5	99006-10600	CIRCLIP	3	
6	90508-29531	SPRING, torsion	1	
7	90201-12588	WASHER, plate	1	
8	90387-124F4	COLLAR	1	
9	90201-12588	WASHER, plate	1	
10	90201-12166	WASHER, plate	1	
11	93102-12106	OIL SEAL (SD 12-22-5 HS)	1	
12	42X-18110-01	SHIFT PEDAL ASSY.	1	
13	2H9-18154-00	.COVER, dust	1	
14	132-18113-01	.COVER, shift pedal	1	
15	90201-124E4	WASHER, plate	1	
16	99009-12400	CIRCLIP	1	
17	42X-18112-01	ARM, shift	1	
18	2H9-18154-00	.COVER, dust	1	
19	97011-06020	BOLT	1	
20	29L-18115-00	ROD, shift	1	
21	90170-06228	NUT (COUNTER CLOCKWISE)	1	
22	95303-06700	NUT	1	
23	93608-50158	PIN, dowel	1	

3EF2361-9180

FIG. 19 FRAME



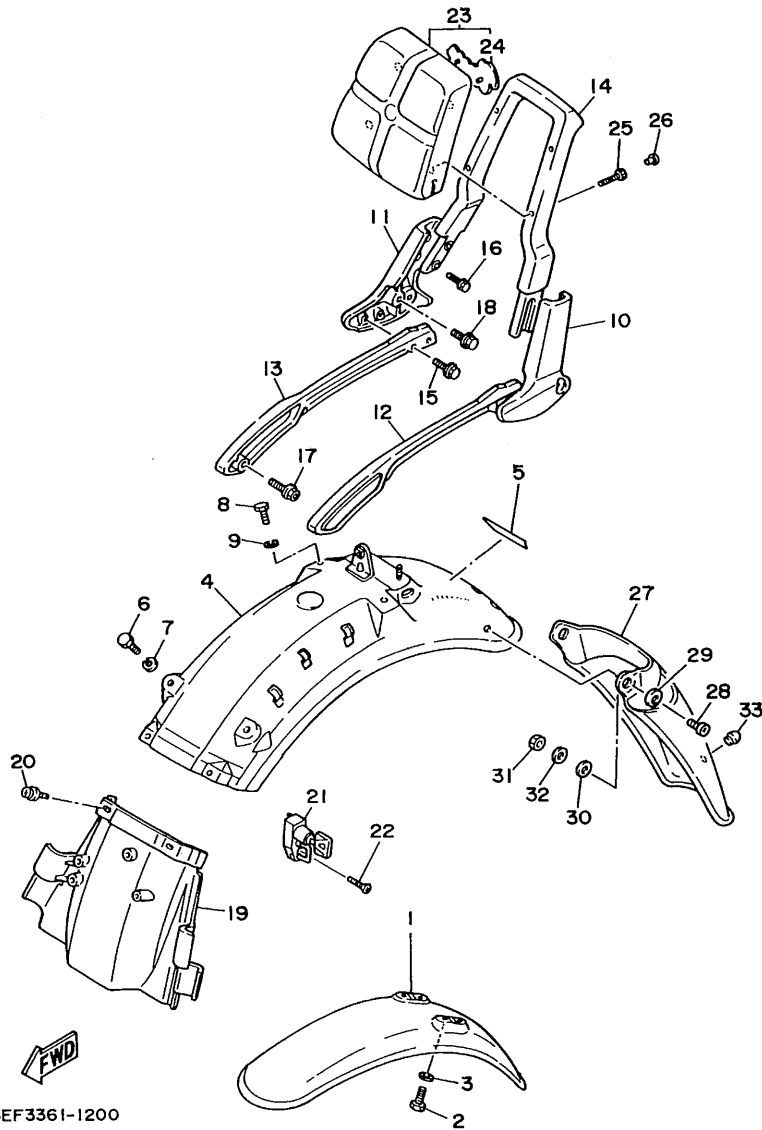
REF. NO.	PART NO.	DESCRIPTION	Q'TY	REMARKS
1	3LP-21110-00-33	FRAME COMP.	1	YAMAHA BLACK
2	42X-21317-00	STAY, engine 3	1	
3	42X-21359-00	BRACKET, coil	1	
4	92506-06012	SCREW, pan head	1	
5	92906-06100	WASHER, spring	1	
6	92906-06600	WASHER, plate	1	
7	90105-10297	BOLT, washer based	2	
8	90176-10049	NUT, crown	2	
9	90179-12421	NUT	4	
10	90201-125A3	WASHER, plate	4	
11	42X-21315-00	STAY, engine 2	1	
12	42X-21316-00	STAY, engine 3	1	
13	90105-10298	BOLT, washer based	2	
14	90201-105H3	WASHER, plate	2	
15	90387-100E2	COLLAR	2	
16	4X7-21485-00	DAMPER, rubber 1	2	
17	90105-10299	BOLT, washer based	2	
18	90105-10300	BOLT, washer based	1	
19	42X-21458-01	BRACKET, side stand	1	
20	90176-10049	NUT, crown	2	
21	90105-06069	BOLT, washer based	1	
22	90202-06010	WASHER, plate	1	
23	90338-07043	PLUG	2	
24	90462-08138	CLAMP	2	
25	97706-50508	SCREW, tapping	2	
26	2AE-2139R-00	COVER 2	1	
27	90159-06058	SCREW, with washer	1	
28	*	STEERING LOCK ASSY	1	LM



3DR1332-8190

C14

FIG. 20 FENDER

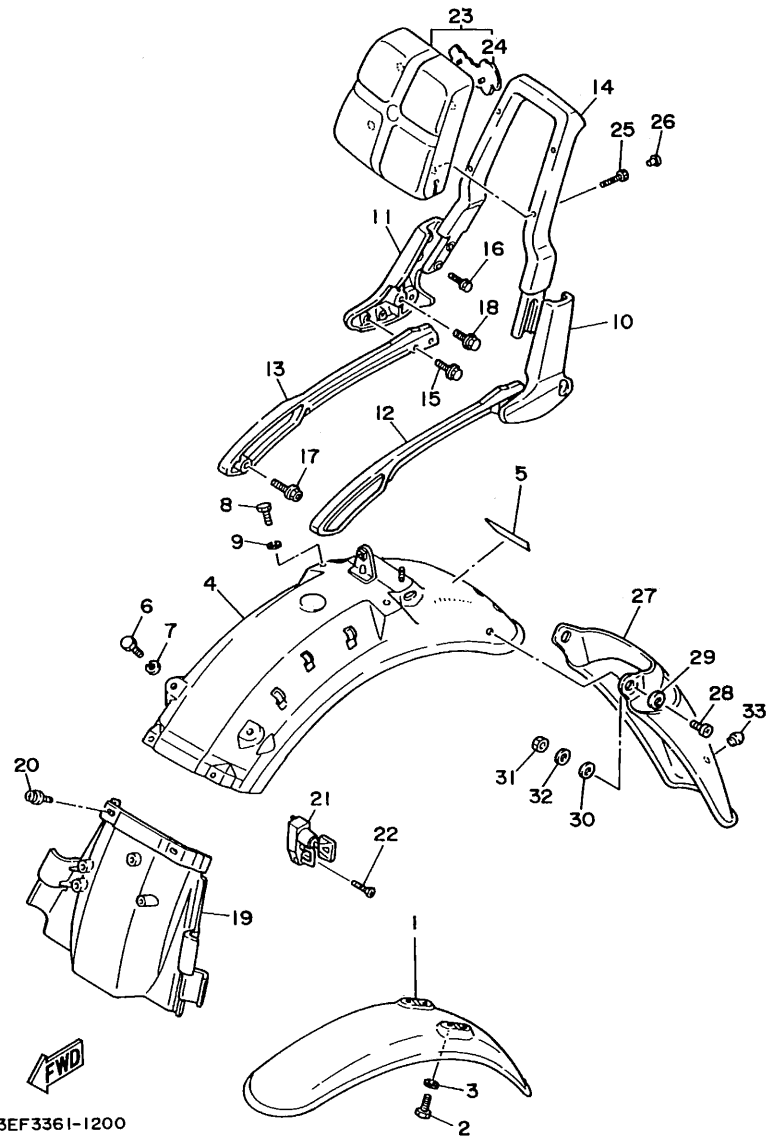


3EF3361-1200

REF. NO.	PART NO.	DESCRIPTION	Q'TY	REMARKS
1	1MY-21510-00-6G	FRONT FENDER COMP.	1	NEW YAMAHA BLACK
2	97021-06012	BOLT	4	
3	92990-06100	WASHER, spring	4	
4	3EF-21610-00-6G	REAR FENDER COMP.	1	NEW YAMAHA BLACK
5	99236-00020	EMBLEM, yamaha	1	
6	97022-06012	BOLT	2	
7	92990-06100	WASHER, spring	2	
8	97022-08012	BOLT	2	
9	92902-08100	WASHER, spring	2	
10	1RM-2164F-00	STAY 1	1	
11	1RM-2164G-00	STAY 2	1	
12	3JK-2164H-00	STAY 3	1	
13	3JK-2164J-00	STAY 4	1	
14	42H-2164A-02	GRIP 1	1	
15	95811-06016	BOLT, flange	4	
16	95811-06016	BOLT, flange	4	
17	90149-08225	SCREW	2	
18	90105-10217	BOLT, washer based	2	
19	42X-21629-00	GUARD, mud	1	
20	90159-06128	SCREW, with washer	2	
21	26H-21308-00	HELMET HANGER ASSY	1	
22	90149-06154	SCREW	1	
23	1TA-2840F-00	BACKREST ASSY	1	
24	42H-24786-00	.EMBLEM	1	
25	91311-06035	BOLT, hex socket head	4	
26	90338-06162	PLUG	4	
27	3LP-21621-00	FLAP	1	UR
	3EF-21621-00	FLAP	1	UR FOR SWEDEN

C15

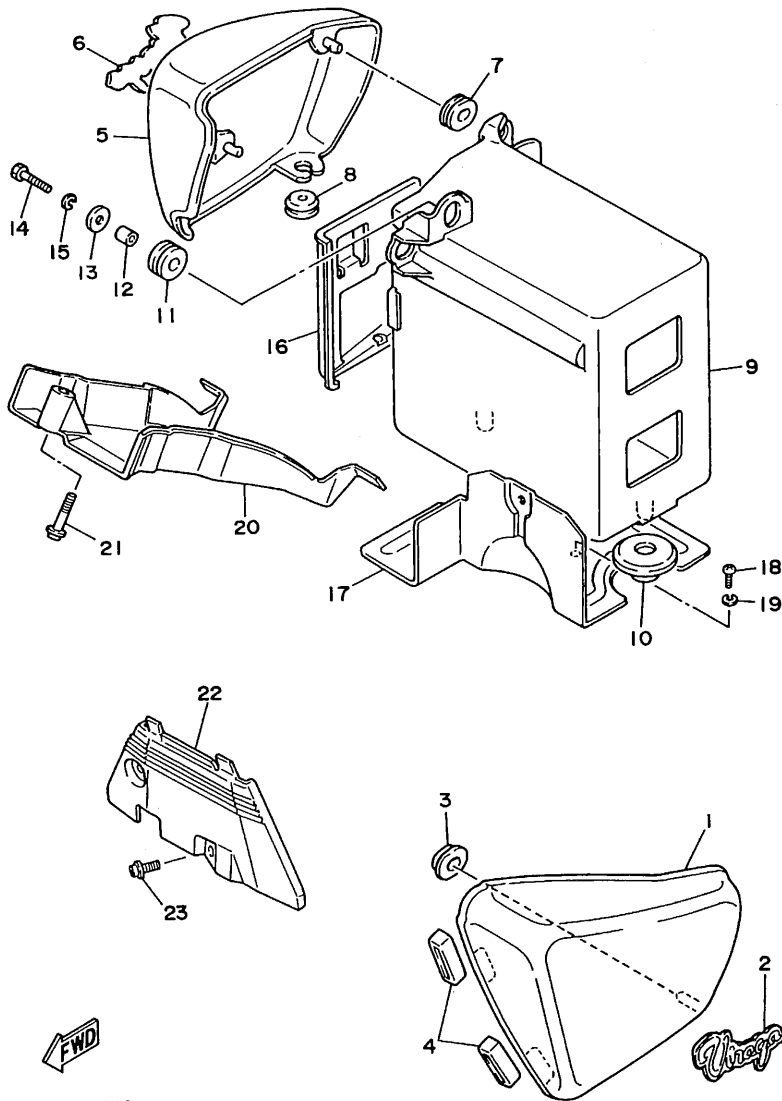
FIG. 20 FENDER



REF. NO.	PART NO.	DESCRIPTION	Q'TY	REMARKS
28	92506-06012	SCREW, pan head	2	
29	92906-06600	WASHER, plate	2	
30	90430-06139	GASKET	2	
31	95303-06600	NUT	2	
32	92990-06200	WASHER, plain	2	
33	460-21639-00	DAMPER 2	1	

3EF3361-1200

D2

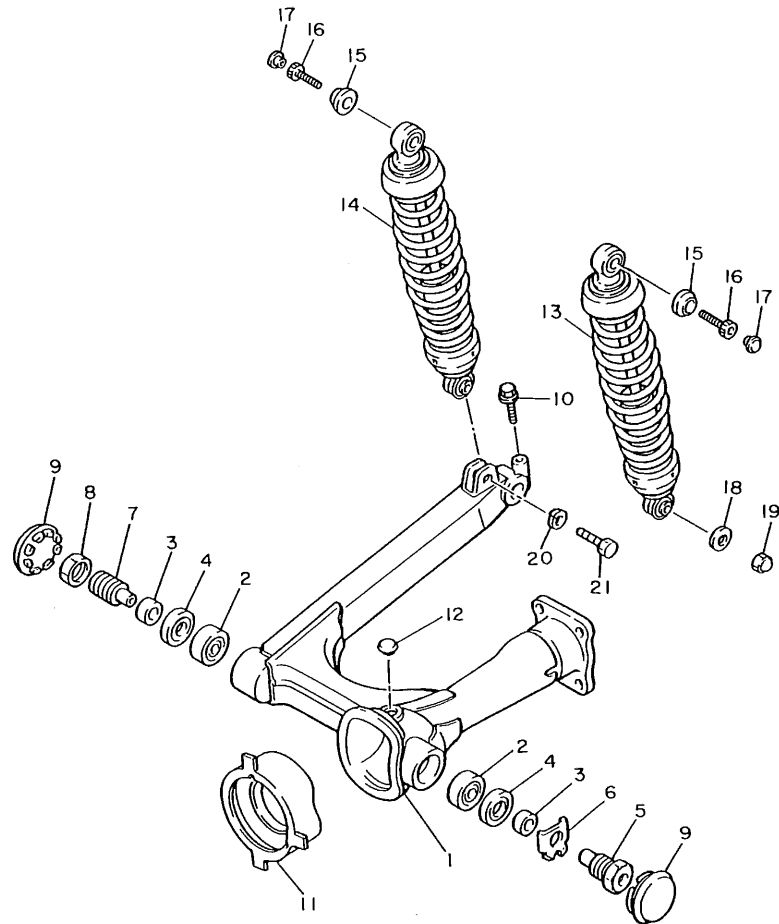


3JK9171-1210

FIG. 21 SIDE COVER

REF. NO.	PART NO.	DESCRIPTION	Q'TY	REMARKS
1	42X-21711-00-6G	COVER, side 1	1	NEW YAMAHA BLACK
2	56F-21781-00	EMBLEM 1	1	
3	90480-01401	GROMMET	1	
4	466-21717-00	DAMPER, side cover	2	
5	42X-21721-00-6G	COVER, side 2	1	NEW YAMAHA BLACK
6	56F-21782-00	EMBLEM 2	1	
7	90480-01401	GROMMET	2	
8	90480-12053	GROMMET	1	
9	42X-21171-00	BOX, tool	1	
10	90480-20384	GROMMET	2	
11	90480-16233	GROMMET	1	
12	90387-060A7	COLLAR	1	
13	90201-06067	WASHER, plate	1	
14	97011-06020	BOLT	1	
15	92990-06100	WASHER, spring	1	
16	42X-28185-00	LID	1	
17	42X-2172W-02	COVER	1	
18	98501-06010	SCREW, pan head	2	
19	92990-06100	WASHER, spring	2	
20	42X-2176E-00	PLATE	1	
21	90159-06110	SCREW, with washer	1	
22	42X-2117F-00	COVER	1	
23	90159-06071	SCREW, with washer	2	

FIG. 22 REAR ARM. SUSPENSION

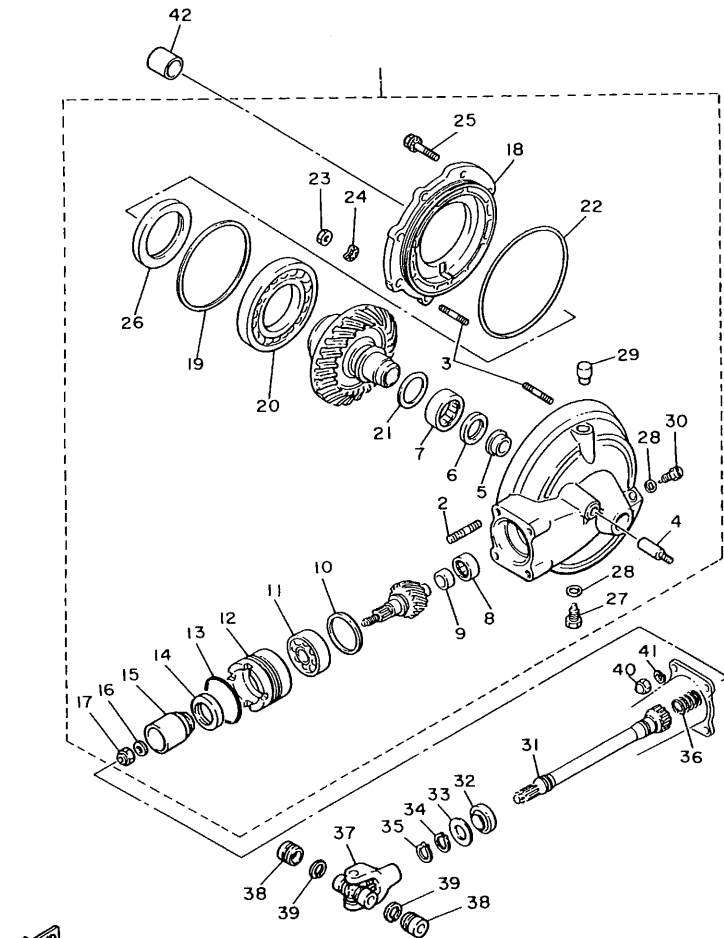


REF. NO.	PART NO.	DESCRIPTION	Q'TY	REMARKS
1	1RM-22110-00-35	REAR ARM COMP.	1	SILVER
2	93332-00010	BEARING	2	
3	90387-17543	COLLAR	2	
4	93102-25017	OIL SEAL	2	
5	42X-22141-00	SHAFT, pivot	1	
6	90215-22238	WASHER, lock	1	
7	1J7-22141-00	SHAFT, pivot	1	
8	1J7-22143-00	NUT	1	
9	2H7-2219X-00	COVER	2	
10	95023-08035	BOLT	1	
11	4X7-22189-01	BOOT, rubber	1	
12	90338-20113	PLUG	1	
13	3JK-22210-00	SHOCK ABSORBER ASSY, rear	1	
14	3JK-22220-00	SHOCK ABSORBER ASSY, rear	1	
15	57A-22243-01	WASHER 1	2	
16	91311-08020	BOLT	2	
17	90338-08163	PLUG	2	
18	90201-10437	WASHER, plate	1	
19	90176-10013	NUT, crown	1	
20	92990-10100	WASHER, spring	1	
21	90106-10030	BOLT	1	



3CF110-8220

D4

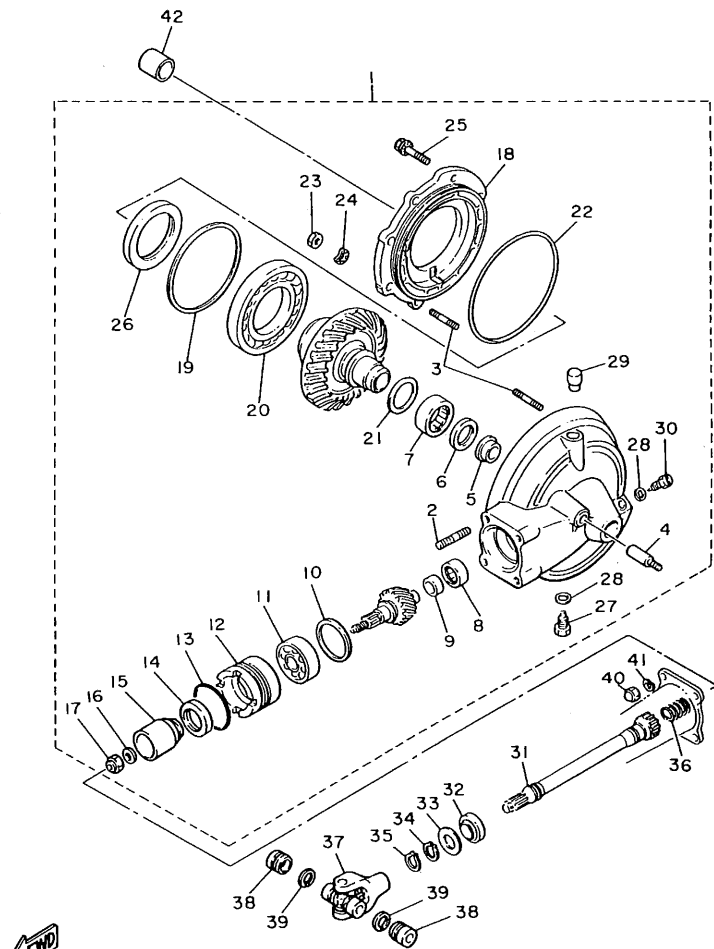


1TE110-6230

FIG. 23 DRIVE SHAFT

REF. NO.	PART NO.	DESCRIPTION	Q'TY	REMARKS
1	56W-46101-02	REAR AXLE GEAR CASE ASSY	1	
2	90116-10361	.BOLT, stud	4	
3	90116-08360	.BOLT, stud	6	
4	90116-10249	.BOLT, stud	1	
5	4H7-46153-00	.COLLAR, guide	1	
6	93101-30084	.OIL SEAL	1	
7	93311-43729	.BEARING, cylindrical	1	
8	93317-41510	.BEARING, cylindrical	1	
9	2H7-46122-00	.RACE, inner	1	
10	1J7-17537-Y0-15	.SHIM, thrust (0.15T)	1	UR
	1J7-17537-Y0-30	.SHIM, thrust (0.30T)	1	UR
	1J7-17537-Y0-40	.SHIM, thrust (0.40T)	1	UR
	1J7-17537-Y0-50	.SHIM, thrust (0.50T)	1	UR
11	93306-30533	.BEARING (B6305RB1 SPECIAL)	1	
12	4H7-46125-00	.RETAINER, bearing	1	
13	93210-60426	.O-RING	1	
14	93101-38098	.OIL SEAL	1	
15	4H7-46123-00	.COUPLING, gear	1	
16	90201-14632	.WASHER, plate	1	
17	90185-14070	.NUT, self-locking	1	
18	4H7-46152-00	.HOUSING, bearing	1	
19	1J7-46117-Y0-30	.SHIM, ring gear (0.30T)	1	UR
	1J7-46117-Y0-40	.SHIM, ring gear (0.40T)	1	UR
	1J7-46117-Y0-45	.SHIM, ring gear (0.45T)	1	UR
	1J7-46117-Y0-50	.SHIM, ring gear (0.50T)	1	UR
20	93316-01403	.BEARING, cylindrical	1	
21	22U-46118-00-18	.SHIM, thrust (1.8T)	1	UR
	22U-46118-00-20	.SHIM, thrust (2.0T)	1	UR

D5



1TE110-6230

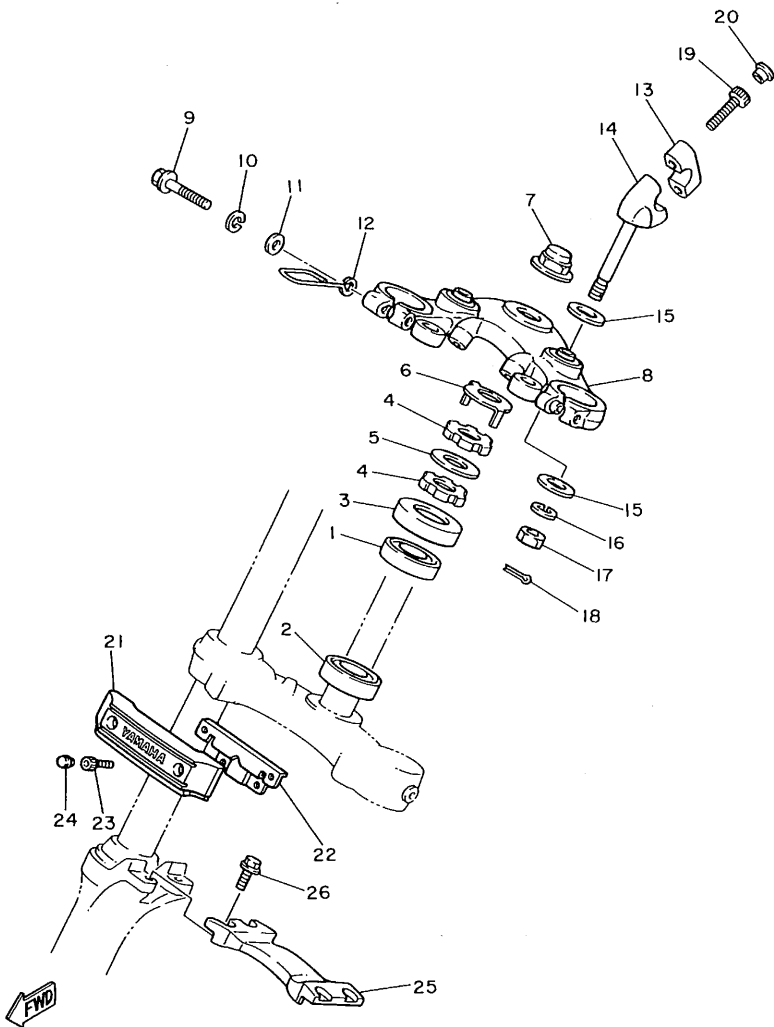
FIG. 23 DRIVE SHAFT

REF. NO.	PART NO.	DESCRIPTION	Q'TY	REMARKS
22	93211-44348	.O-RING	1	
23	95333-08600	.NUT	6	
24	92901-08700	.WASHER, wave	6	
25	95811-10025	.BOLT, flange	2	
26	93102-70167	.OIL SEAL	1	
27	90340-14109	.PLUG, straight screw	1	
28	214-11198-01	.GASKET	2	
29	56W-17590-00	.BREATHER COMP.	1	
30	90340-14042	.PLUG, straight screw	1	
31	4X7-46172-00	SHAFT, drive	1	
32	93108-23007	OIL SEAL	1	
33	90201-231A2	WASHER, plate	1	
34	93410-23056	CIRCLIP	1	
35	93410-22039	CIRCLIP	1	
36	90501-16491	SPRING, compression	1	
37	4X7-46180-00	CROSS JOINT COMP.	1	
38	93399-99926	BEARING	2	
39	93440-20088	CIRCLIP	2	
40	90176-10049	NUT, crown	4	
41	92901-10100	WASHER, spring	4	
42	90387-172A5	COLLAR	1	

D6

FIG. 24 STEERING

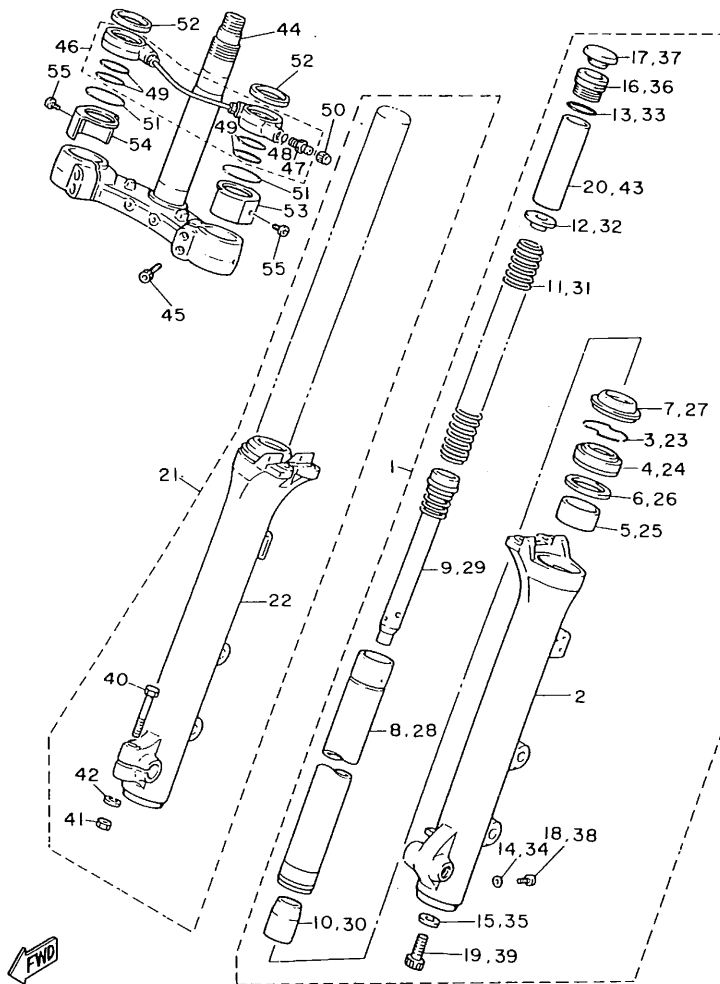
REF. NO.	PART NO.	DESCRIPTION	Q'TY	REMARKS
1	93332-00023	BEARING	1	
2	93332-00008	BEARING	1	
3	1J7-23415-00	COVER, ball race 1	1	
4	90179-25033	NUT	2	
5	90202-26142	WASHER, plate	1	
6	26H-23418-01	WASHER, special	1	
7	90176-22050	NUT, crown	1	
8	42X-W2341-01-38	CROWN, handle	1	CLEAR (WITH BUFF)
9	95023-08045	BOLT	2	
10	92990-08100	WASHER, spring	2	
11	92901-08600	WASHER, plate	2	
12	1UF-23317-00	HOLDER, cable	2	
13	4H7-23441-00-38	HOLDER, handle upper	2	CLEAR (WITH BUFF)
14	42X-23442-00-38	HOLDER, handle lower	2	CLEAR (WITH BUFF)
15	90201-100A1	WASHER, plate	4	
16	92901-10100	WASHER, spring	2	
17	95303-10700	NUT	2	
18	90468-12006	CLIP	2	
19	91311-08030	BOLT	4	
20	90338-08163	PLUG	4	
21	1RM-23122-00	COVER, outer 1	1	
22	1RM-2317E-00	STAY	1	
23	92013-06012	BOLT	2	
24	90338-08163	PLUG	2	
25	42X-2313A-00	BRACE, fork	1	
26	95023-08020	BOLT	4	



1RR110-6240

D7

FIG. 25 FRONT FORK



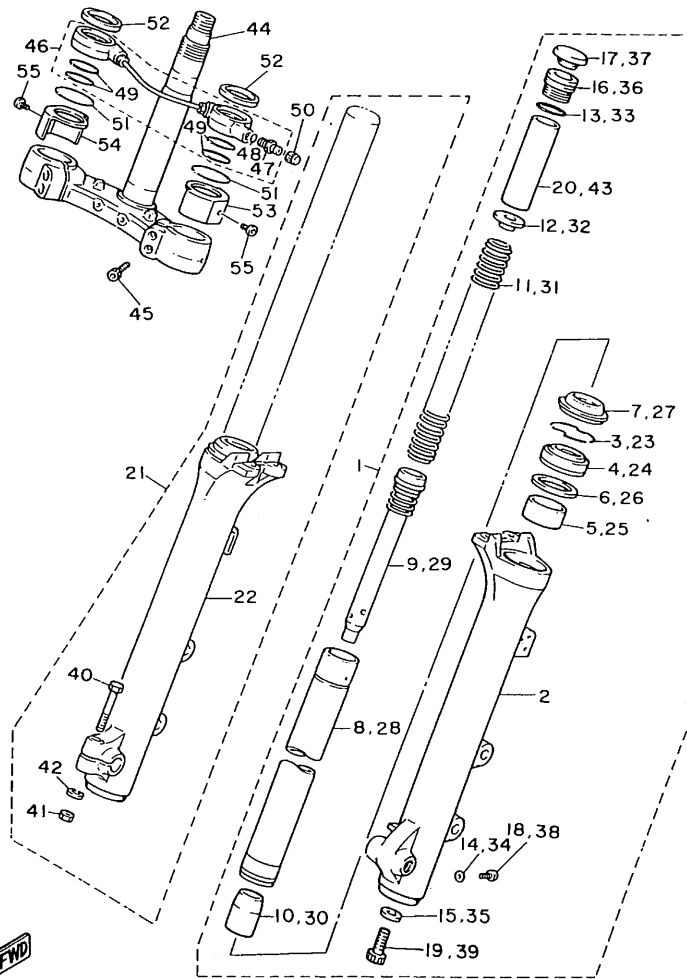
1RW010-6250

REF. NO.	PART NO.	DESCRIPTION	Q'TY	REMARKS
1	3LP-23102-00	FRONT FORK ASSY (L.H)	1	
2	55R-23126-00	.TUBE, outer 1	1	
3	3R4-23153-00	.RING, snap	1	
4	2TK-23145-00	.OIL SEAL	1	
5	4V2-23125-L0	.METAL, slide 1	1	
6	4V2-23146-L0	.WASHER, oil seal	1	
7	42H-23144-00	.SEAL, dust	1	
8	1TA-23110-00	.INNER TUBE COMP.1	1	
9	33M-23170-00	.CYLINDER COMP., front fork	1	
10	5A8-23173-00	.SPINDLE, taper	1	
11	3JK-23141-00	.SPRING, front fork	1	
12	1W1-23142-L0	.SEAT, spring upper	1	
13	1W1-23114-L0	.GASKET	1	
14	122-23129-00	.GASKET, drain plug	1	
15	509-23158-L0	.GASKET	1	
16	31A-23111-31	.BOLT, cap	1	
17	42H-23168-00	.CAP, front fork	1	
18	4H7-23119-00	.PLUG, drain	1	
19	278-23181-50	.BOLT, hexagon socket head	1	
20	3JK-23118-00	.SPACER	1	
21	3LP-23103-00	FRONT FORK ASSY (R.H)	1	
22	55R-23136-00	.TUBE, outer 2	1	
23	3R4-23153-00	.RING, snap	1	
24	2TK-23145-00	.OIL SEAL	1	
25	4V2-23125-L0	.METAL, slide 1	1	
26	4V2-23146-L0	.WASHER, oil seal	1	
27	42H-23144-00	.SEAL, dust	1	
28	1TA-23110-00	.INNER TUBE COMP.1	1	

D8

FIG. 25 FRONT FORK

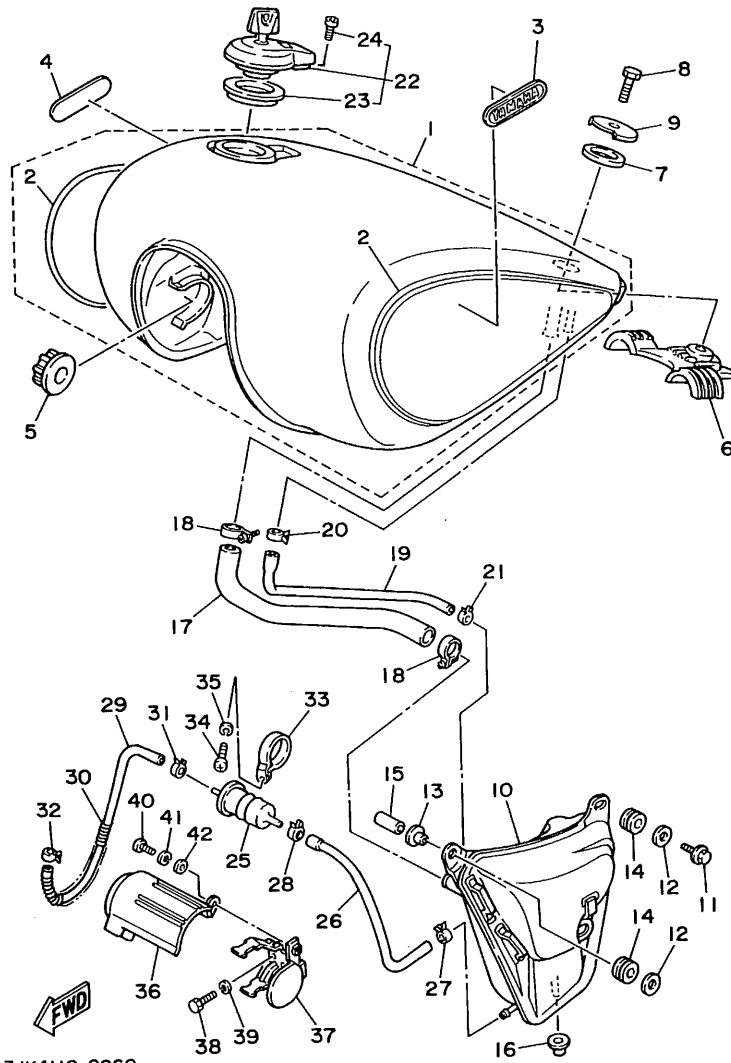
REF. NO.	PART NO.	DESCRIPTION	Q'TY	REMARKS
29	33M-23170-00	.CYLINDER COMP., front fork	1	
30	5A8-23173-00	.SPINDLE, taper	1	
31	3JK-23141-00	.SPRING, front fork	1	
32	1W1-23142-L0	.SEAT, spring upper	1	
33	1W1-23114-L0	.GASKET	1	
34	122-23129-00	.GASKET, drain plug	1	
35	509-23158-L0	.GASKET	1	
36	31A-23111-31	.BOLT, cap	1	
37	42H-23168-00	.CAP, front fork	1	
38	4H7-23119-00	.PLUG, drain	1	
39	278-23181-50	.BOLT, hexagon socket head	1	
40	90109-08397	.BOLT	1	
41	95333-08600	.NUT	1	
42	92990-08100	.WASHER, spring	1	
43	3JK-23118-00	.SPACER	1	
44	2AE-23340-30	UNDER BRACKET COMP.	1	
45	91311-08030	BOLT	4	
46	42H-2318J-00	HOSE ASSY	1	
47	23X-23190-L0	.AIR VALVE COMP.	1	
48	3J2-23147-00	.O-RING	1	
49	42H-23188-00	.O-RING	4	
50	10M-23184-01	CAP, air valve	1	
51	42H-23153-00	RING, snap	2	
52	42H-23163-00	GASKET	2	
53	1RM-23132-00	COVER (L.H)	1	
54	1RM-23132-10	COVER (R.H)	1	
55	98580-05006	SCREW, pan head	2	



1RW010-6250

D9

FIG. 26 FUEL TANK



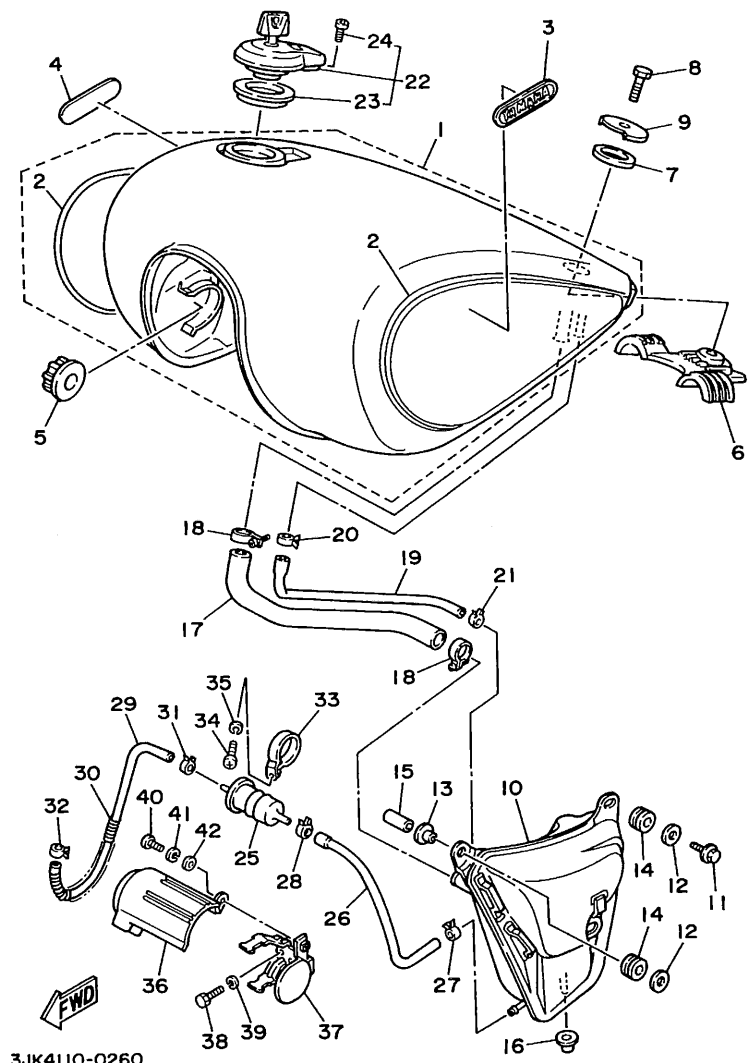
3JK4110-0260

REF. NO.	PART NO.	DESCRIPTION	Q'TY	REMARKS
1	1TE-24110-00-09	FUEL TANK COMP.	1	NEW YAMAHA BLACK
2	3JK-24240-20	.GRAPHIC SET	1	
3	1RM-24161-00	EMBLEM 1	1	
4	1RM-24162-00	EMBLEM 2	1	
5	4H7-24181-00	DAMPER, locating 1	2	
6	42X-24182-00	DAMPER, locating 2	1	
7	42X-24183-00	DAMPER, locating 3	1	
8	98001-08016	BOLT	1	
9	42X-24186-00	WASHER, special	1	
10	42H-24280-00	SUB TANK ASSY	1	
11	91316-06020	BOLT	1	
12	90201-06059	WASHER, plate	2	
13	90387-062L2	COLLAR	1	
14	90480-13163	GROMMET	2	
15	90560-06258	SPACER	1	
16	90480-10408	GROMMET	1	
17	42H-24316-00	PIPE 6	1	
18	90460-16192	CLAMP, hose	2	
19	42H-24317-00	PIPE 7	1	
20	90467-11044	CLIP	1	
21	90467-10091	CLIP	1	
22	4X7-24602-00	CAP ASSY	1	
23	4X7-24612-00	.GASKET, cap	1	
24	98506-05010	.SCREW, pan head	1	
25	1FK-24560-00	FILTER ASSY	1	
26	42H-24311-00	PIPE, fuel 1	1	
27	90467-10091	CLIP	1	
28	90467-11044	CLIP	1	

D10

FIG. 26 FUEL TANK

REF. NO.	PART NO.	DESCRIPTION	Q'TY	REMARKS
29	42H-24315-00	PIPE 5	1	
30	90501-102A2	SPRING, compression	1	
31	90467-11044	CLIP	1	
32	90467-10091	CLIP	1	
33	90465-08256	CLAMP	1	
34	98501-06010	SCREW, pan head	1	
35	92990-06100	WASHER, spring	1	
36	42H-24452-00	COVER	1	
37	3JK-24491-00	BRACKET, fuel pump	1	
38	97026-06012	BOLT	2	
39	92906-06100	WASHER, spring	2	
40	98501-06012	SCREW, pan head	1	
41	92990-06100	WASHER, spring	1	
42	92901-06600	WASHER, plate	1	

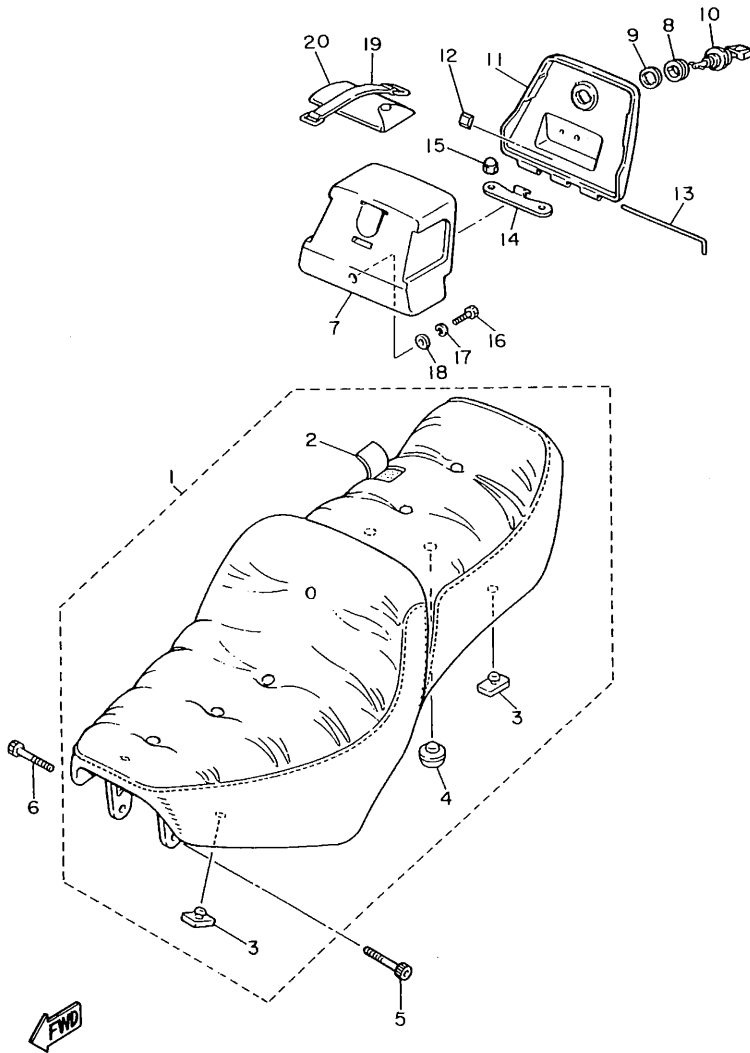


3JK4110-0260

D11

FIG. 27 SEAT

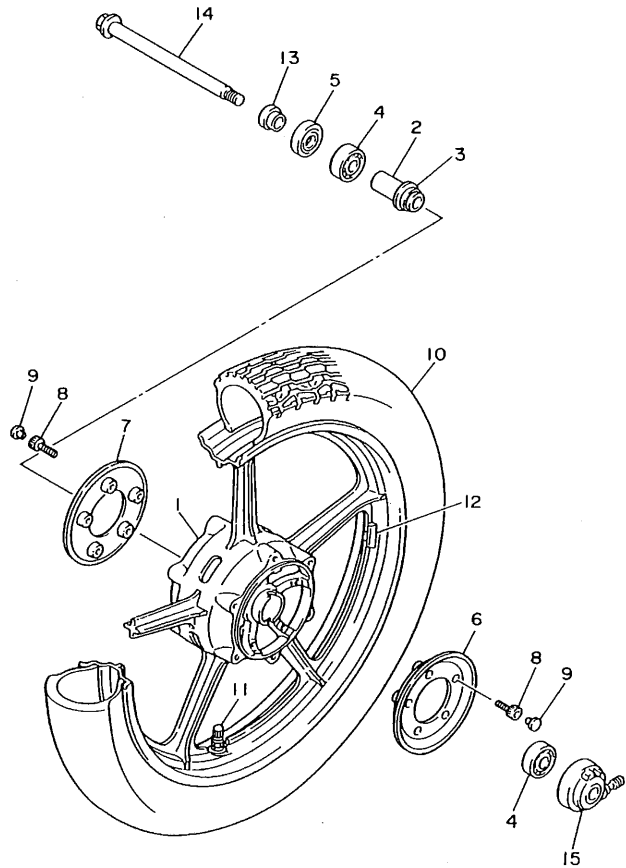
REF. NO.	PART NO.	DESCRIPTION	Q'TY	REMARKS
1	3CF-24730-00	DOUBLE SEAT ASSY	1	
2	3CF-24731-00	.COVER, seat	1	
3	509-24724-00	.DAMPER, seat	4	
4	1L9-24741-00	.PAD, seat	1	
5	91316-06016	BOLT	1	
6	90110-06077	BOLT, hexagon socket head	1	
7	42X-2473R-00	BOX 1	1	
8	90480-24186	GROMMET	1	
9	90201-225A4	WASHER, plate (T1.0)	1	
10	5A8-21708-00	SIDE COVER LOCK ASSY	1	
11	42X-2473T-00	LID 1	1	
12	3CF-24723-00	DAMPER, seat	1	
13	42X-2177K-00	PIN, hinge	1	
14	1RM-2162G-00	PLATE 1	1	
15	90176-06041	NUT, crown	2	
16	97021-06016	BOLT	1	
17	92990-06100	WASHER, spring	1	
18	90201-06057	WASHER, plate	1	
19	5H9-21376-00	BAND, tool	1	
20	5A8-W2810-00	TOOL KIT	1	



3CF110-8270

D12

FIG. 28 FRONT WHEEL



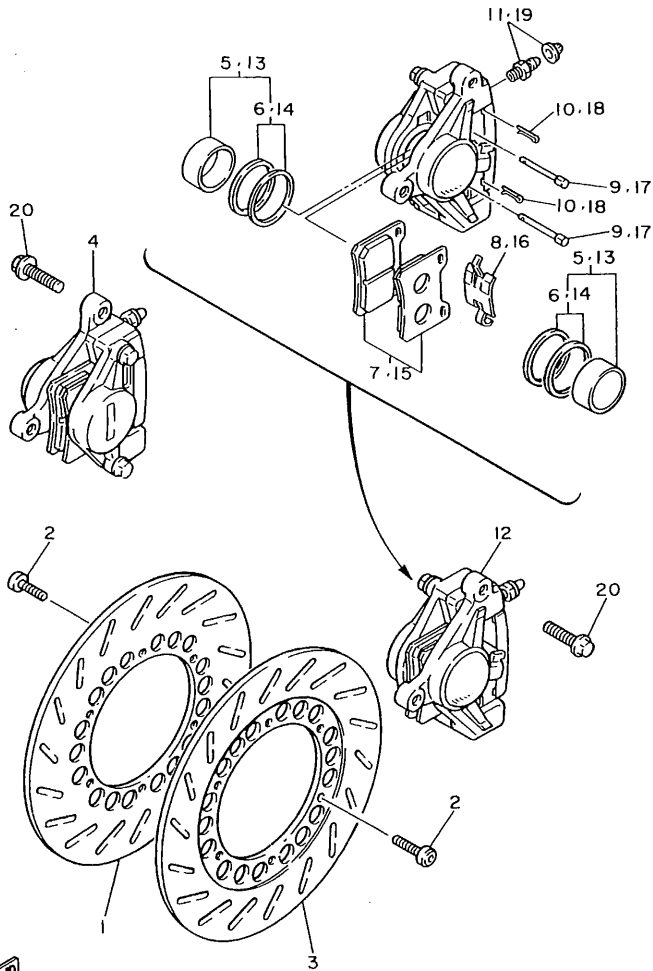
REF. NO.	PART NO.	DESCRIPTION	Q'TY	REMARKS
1	56W-25168-00-P1	CAST WHEEL, front	1	LIGHT YELLOWISH GRAY ME 5
2	90560-15116	SPACER	1	
3	146-25115-00	FLANGE, spacer 1	1	
4	93306-30203	BEARING (B6302Z)	2	
5	93102-22014	OIL SEAL	1	
6	56W-2512A-00	CAP, wheel (LEFT)	1	
7	56W-2512A-10	CAP, wheel (RIGHT)	1	
8	90110-06091	BOLT, hexagon socket head	10	
9	90338-06162	PLUG	10	
10	94110-190J1	TIRE (100/90-19 57H)	1	UR BRIDGESTONE
	94110-190J3	TIRE (100/90-19 57H)	1	UR DUNLOP
11	93900-00001	VALVE, rim	1	UR BRIDGESTONE
	93900-00003	VALVE, rim	1	UR DUNLOP
12	29L-25398-00	BALANCER, wheel (10G)	1	UN
	29L-25398-10	BALANCER, wheel (20G)	1	UN
	29L-25398-20	BALANCER, wheel (30G)	1	UN
13	90387-15550	COLLAR	1	
14	42X-25181-00	AXLE, wheel	1	
15	3JK-25190-00	GEAR UNIT ASSY	1	



1TE110-6280

D13

FIG. 29 FRONT BRAKE CALIPER



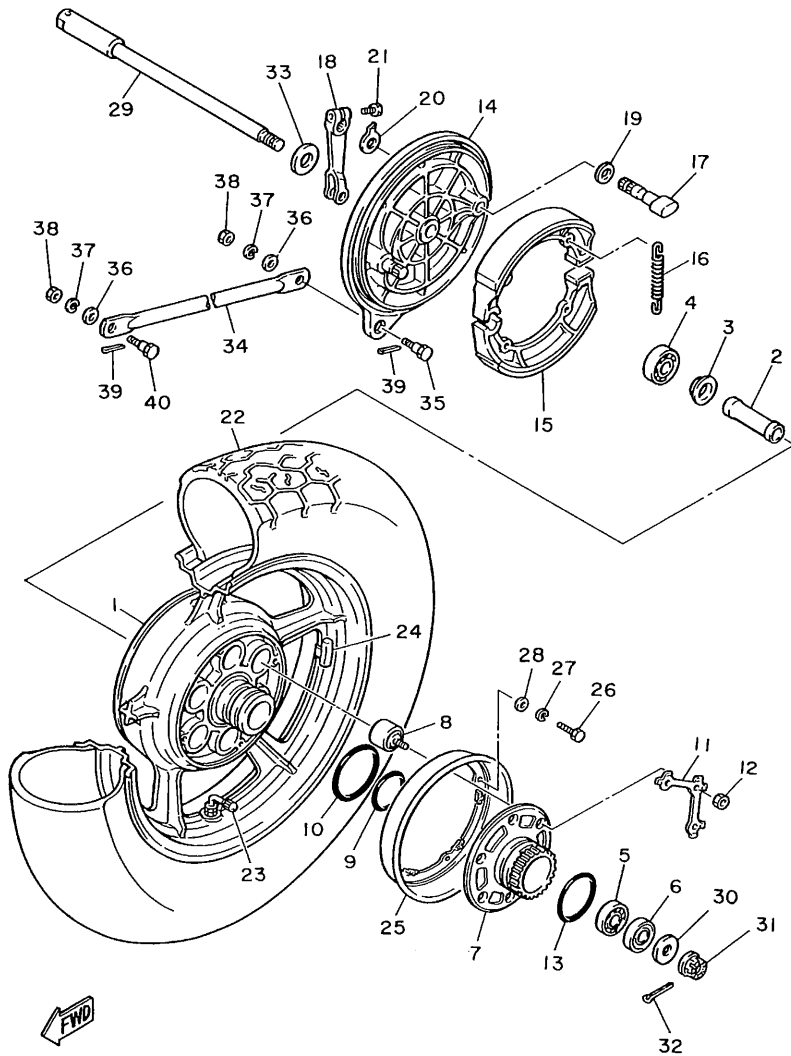
REF. NO.	PART NO.	DESCRIPTION	Q'TY	REMARKS
1	3JK-25831-00	DISC, brake (RIGHT)	1	SILVER
2	90109-08718	BOLT	12	
3	3JK-25831-10	DISC, brake (LEFT)	1	SILVER
4	42H-25810-01	CALIPER ASSY (RIGHT)	1	
5	26H-W0057-00	.PISTON ASSY, caliper	1	
6	26H-W0047-00	..CALIPER SEAL KIT	1	
7	26H-W0045-11	.BRAKE PAD KIT	1	
8	29L-25919-00	.SUPPORT, pad	1	
9	1KT-25924-00	.PIN, pad	2	
10	26H-25925-00	.CLIP	2	
11	1J3-W0048-00	.BREED SCREW KIT	1	
12	42H-25810-11	CALIPER ASSY (LEFT)	1	
13	26H-W0057-00	.PISTON ASSY, caliper	1	
14	26H-W0047-00	..CALIPER SEAL KIT	1	
15	26H-W0045-11	.BRAKE PAD KIT	1	
16	29L-25919-00	.SUPPORT, pad	1	
17	1KT-25924-00	.PIN, pad	2	
18	26H-25925-00	.CLIP	2	
19	1J3-W0048-00	.BREED SCREW KIT	1	
20	90105-10308	BOLT, washer based	4	



1RR110-6290

D14

FIG. 30 REAR WHEEL

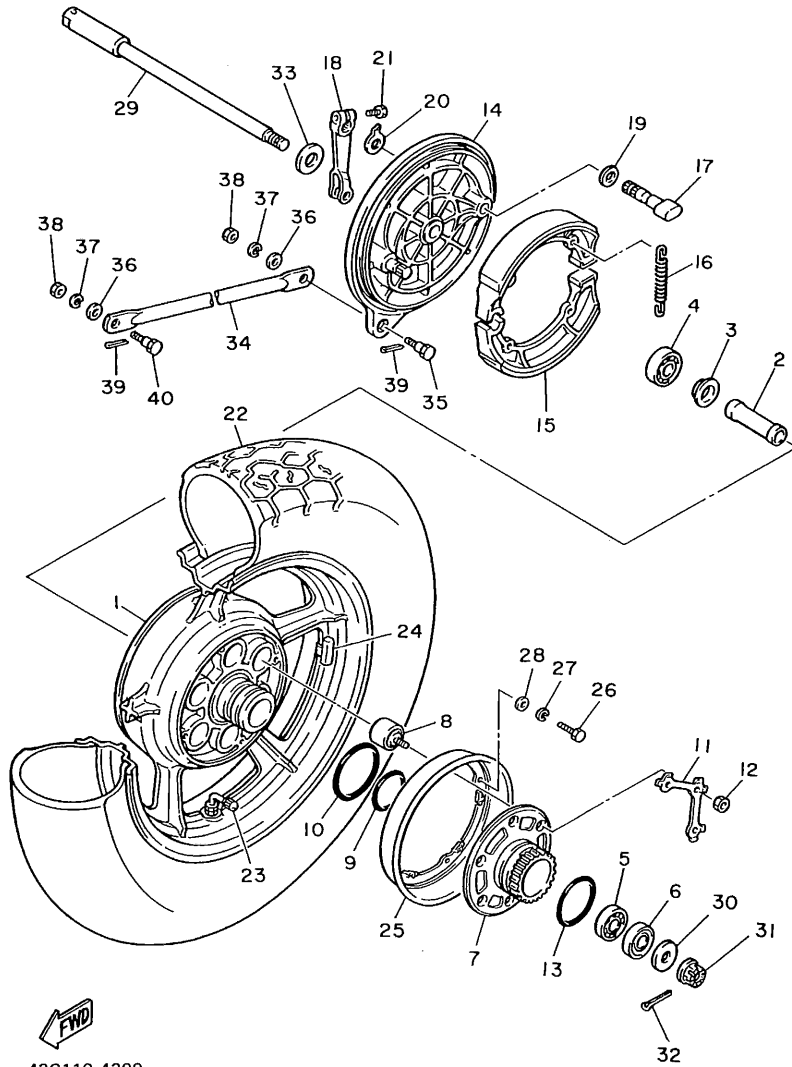


42G110-4300

REF. NO.	PART NO.	DESCRIPTION	Q'TY	REMARKS
1	42H-25338-01-P1	CAST WHEEL, rear	1	LIGHT YELLOWISH GRAY ME 5
2	90560-17249	SPACER	1	
3	1A1-25115-00	FLANGE, spacer 1	1	
4	93306-30306	BEARING (B6303)	1	
5	93306-20310	BEARING (B6203DU)	1	
6	93306-20310	BEARING (B6203DU)	1	
7	16G-25366-01	CLUTCH, hub	1	
8	42H-25364-00	DAMPER	6	
9	93210-48530	O-RING	1	
10	93210-59531	O-RING	1	
11	16G-25412-00	WASHER	2	
12	90170-10219	NUT	6	
13	93210-57428	O-RING	1	
14	42H-25321-02	PLATE, brake shoe	1	
15	3DR-W2536-00	BRAKE SHOE SET	1	
16	90507-20002	SPRING, tension	2	
17	4H7-25351-00	CAMSHAFT	1	
18	3CF-25355-00	LEVER, camshaft	1	
19	90201-14218	WASHER, plate	1	
20	4H7-2533A-02	PLATE, indicator	1	
21	90101-06291	BOLT	1	
22	94114-155U6	TIRE (140/90 70H)	1	UR BRIDGESTONE
	94114-155U5	TIRE (140/90-15 70H)	1	UR DUNLOP
23	93900-00016	VALVE, rim	1	UR BRIDGESTONE
24	29L-25398-00	BALANCER, wheel (10G)	1	UN
	29L-25398-10	BALANCER, wheel (20G)	1	UN
	29L-25398-20	BALANCER, wheel (30G)	1	UN
25	16G-25327-00	COVER, plate	1	

D15

FIG. 30 REAR WHEEL



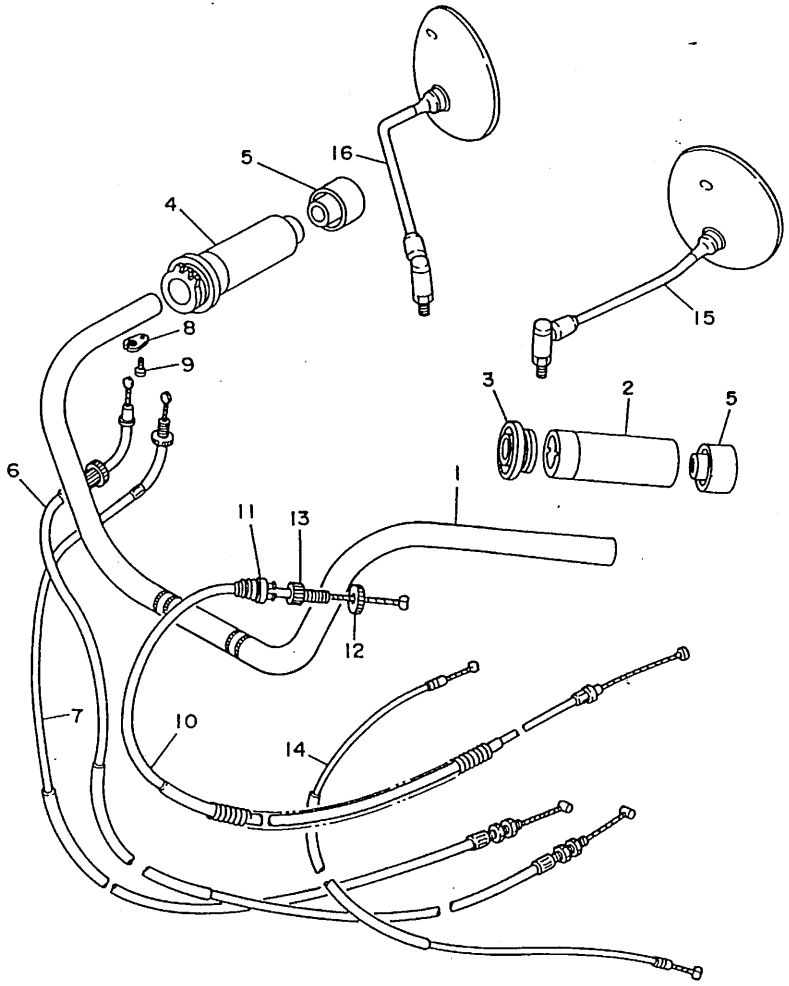
REF. NO.	PART NO.	DESCRIPTION	Q'TY	REMARKS
26	97021-05020	BOLT	4	
27	92901-05100	WASHER, spring	4	
28	92901-05600	WASHER, plate	4	
29	42X-25381-00	AXLE, wheel	1	
30	90201-144J5	WASHER, plate	1	
31	90171-14044	NUT, castle	1	
32	91401-30030	PIN, cotter	1	
33	56W-25377-00	COLLAR, wheel	1	
34	42X-25371-00	BAR, tension	1	
35	90109-08406	BOLT	1	
36	92901-08600	WASHER, plate	2	
37	92990-08100	WASHER, spring	2	
38	95303-08700	NUT	2	
39	91401-20015	PIN, cotter	2	
40	90109-08368	BOLT	1	

FWD
42G110-4300

E2

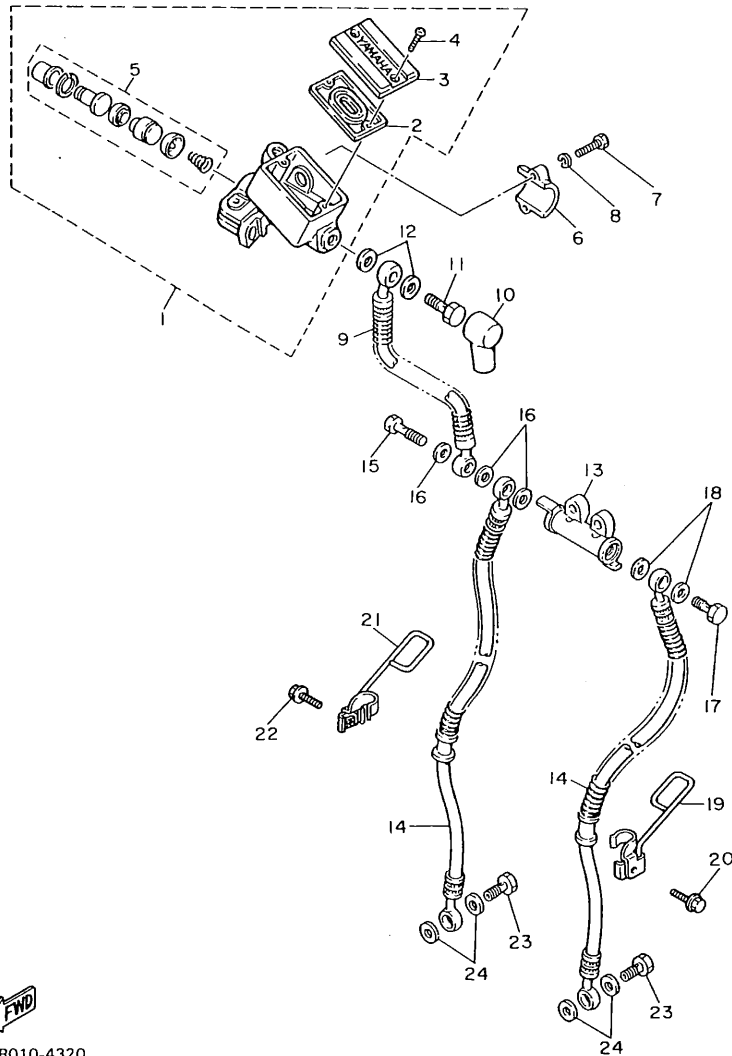
FIG. 31 STEERING HANDLE. CABLE

REF. NO.	PART NO.	DESCRIPTION	Q'TY	REMARKS
1	3CF-W2611-10	HANDLEBAR	1	
2	3JB-26241-00	GRIP (LEFT)	1	
3	3JB-26273-00	ROTOR	1	
4	3JB-26240-00	GRIP ASSY	1	
5	3JB-2628J-00	CAP, grip	2	
6	3CF-26311-00	CABLE, throttle 1	1	
7	3CF-26312-00	CABLE, throttle 2	1	
8	5HO-26393-00	HOLDER	1	
9	98506-05008	SCREW, pan head	1	
10	57A-26335-00	CABLE, clutch	1	
11	1E6-26342-00	BOOT, cable	1	
12	90179-08148	NUT	1	
13	90123-08046	BOLT	1	
14	3CF-26331-00	CABLE, starter 1	1	
15	1J7-26290-F0	BACK MIRROR ASSY (LEFT)	1	
16	1J7-26290-G0	BACK MIRROR ASSY (RIGHT)	1	



3LP4332-2310

FIG. 32 FRONT MASTER CYLINDER

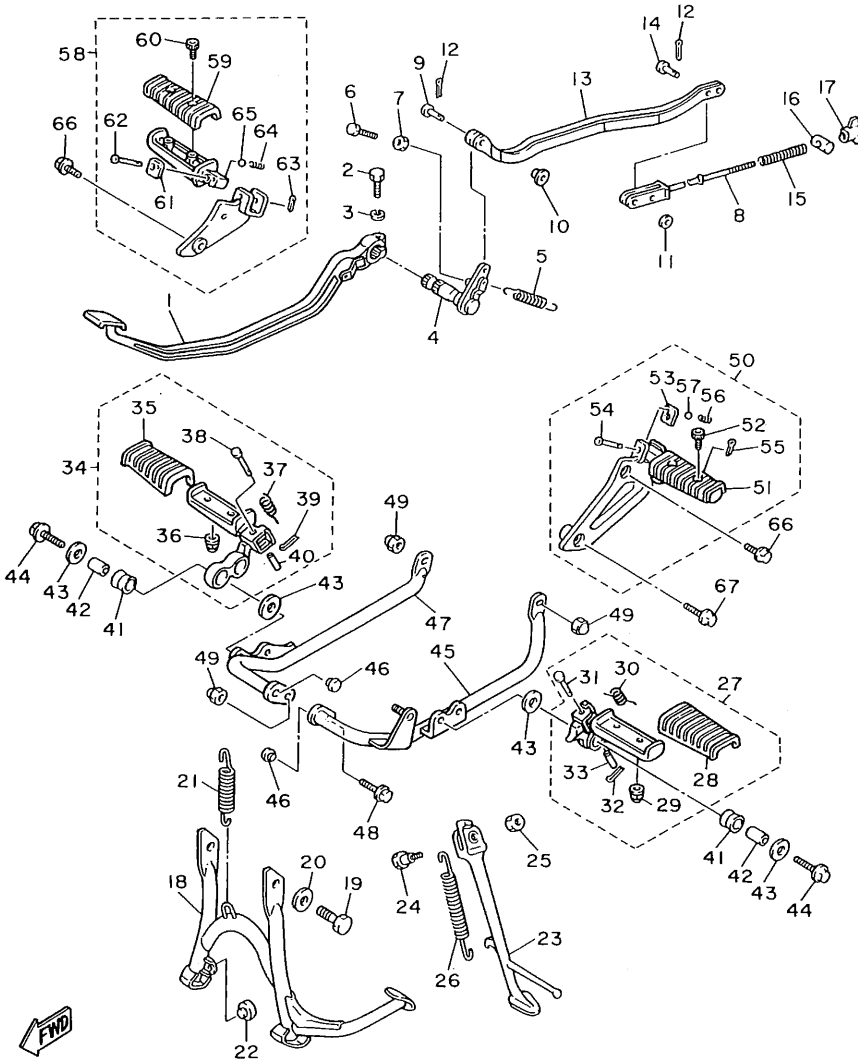


REF. NO.	PART NO.	DESCRIPTION	Q'TY	REMARKS
1	22R-25850-02	MASTER CYLINDER ASSY	1	
2	4K0-25854-00	.DIAPHRAGM, reservoir	1	
3	3GM-25852-01	.CAP, reservoir	1	
4	98706-04012	.SCREW, flat head	2	
5	4K0-W0041-50	.CYLINDER KIT, master	1	
6	4L0-25867-00	BRACKET, master cylinder	1	
7	97016-06025	BOLT	2	
8	92906-06100	WASHER, spring	2	
9	42H-25872-01	HOSE, brake 1	1	
10	306-25862-00	BOOT, master cylinder	1	
11	90401-10034	BOLT, union	1	
12	90201-10118	WASHER, plate	2	
13	42H-25885-00	JOINT	1	
14	42H-25873-01	HOSE, brake 2	2	
15	90401-10044	BOLT, union	1	
16	90201-10118	WASHER, plate	3	
17	90401-10034	BOLT, union	1	
18	90201-10118	WASHER, plate	2	
19	55R-25875-00	HOLDER, brake hose 1	1	
20	95023-06020	BOLT	1	
21	55R-25876-00	HOLDER, brake hose 2	1	
22	95023-06020	BOLT	1	
23	90401-10034	BOLT, union	2	
24	90201-10118	WASHER, plate	4	



55R010-4320

E4



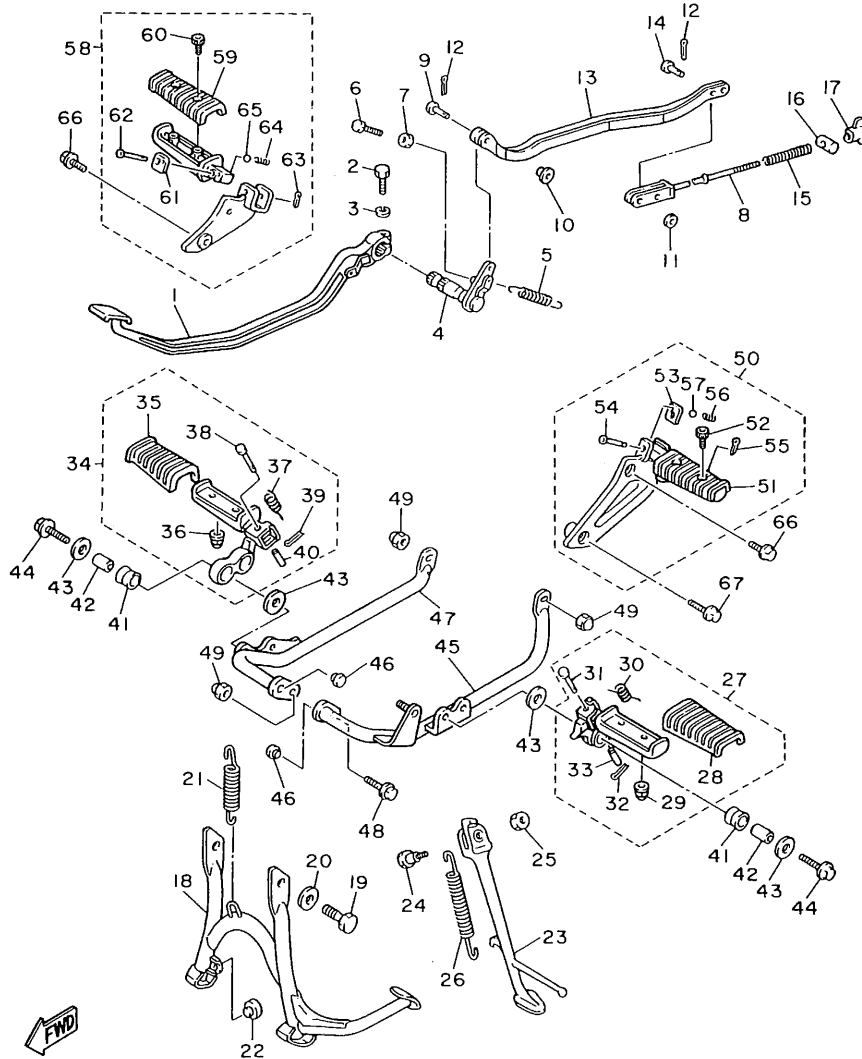
3CF110-8330

FIG. 33 STAND, FOOTREST

REF. NO.	PART NO.	DESCRIPTION	Q'TY	REMARKS
1	3CF-27211-00-93	PEDAL, brake	1	CHROME PLATED
2	90109-06468	BOLT	1	
3	92990-06100	WASHER, spring	1	
4	42X-27212-00	SHAFT, brake pedal	1	
5	90506-20192	SPRING, tension	1	
6	90101-06478	BOLT	1	
7	90170-06184	NUT	1	
8	3CF-27231-01	ROD, brake	1	
9	90240-06057	PIN, clevis	1	
10	90560-06201	SPACER	1	
11	92901-06200	WASHER, plain	2	
12	91401-20015	PIN, cotter	3	
13	3CF-27241-00	ROD, joint	1	
14	90240-06103	PIN, clevis	2	
15	90501-10245	SPRING, compression	1	
16	90249-12008	PIN	1	
17	90175-06019	NUT, wing	1	
18	42X-27111-00-R4	STAND, main	1	BLACK (FOR ELECTRODEPOSIT)
19	97003-10016	BOLT	2	
20	90201-10752	WASHER, plate	2	
21	90506-35149	SPRING, tension	1	
22	371-27114-00	STOPPER, main stand	1	
23	42X-27311-00-93	STAND, side	1	CHROME PLATED
24	90109-103A1	BOLT	1	
25	95303-10700	NUT	1	
26	90507-29009	SPRING, tension	1	
27	3CF-27410-00-93	FRONT FOOTREST ASSY (LEFT)	1	CHROME PLATED
28	1NH-27413-00	.COVER, footrest	1	

E5

FIG. 33 STAND. FOOTREST



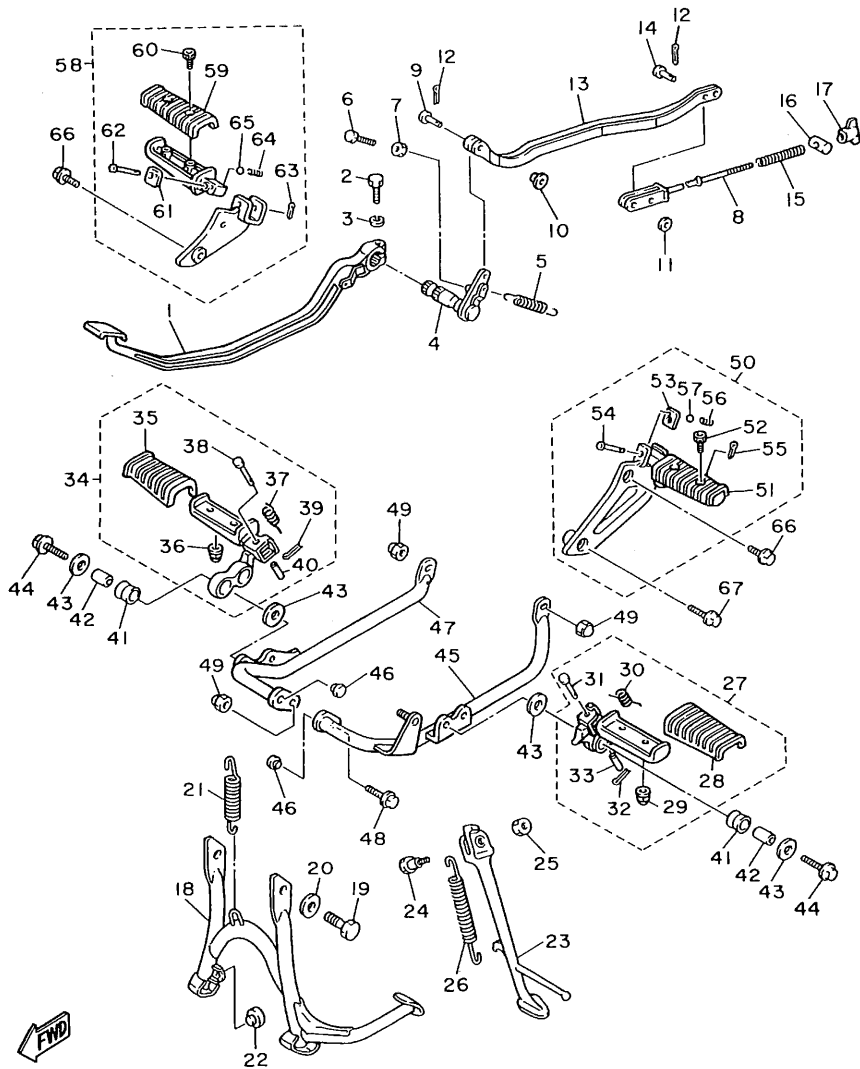
3CF110-8330

REF. NO.	PART NO.	DESCRIPTION	Q'TY	REMARKS
29	95601-06100	.NUT, u	2	
30	90508-18696	.SPRING, torsion	1	
31	91701-08038	.PIN, clevis	1	
32	91401-25020	.PIN, cotter	1	
33	90387-087K5	.COLLAR	1	
34	1RM-27420-00-93	FRONT FOOTREST ASSY (RIGHT)	1	CHROME PLATED
35	1NH-27413-00	.COVER, footrest	1	
36	90176-06058	.NUT, crown	2	
37	90508-18696	.SPRING, torsion	1	
38	91701-08038	.PIN, clevis	1	
39	91401-25020	.PIN, cotter	1	
40	90387-087K5	.COLLAR	1	
41	4X7-27414-00	DAMPER, footrest	4	
42	90387-107A7	COLLAR	4	
43	90201-100A1	WASHER, plate	8	
44	90109-101A3	BOLT	4	
45	3CF-27471-00	BAR, footrest 1	1	
46	90338-09161	PLUG	2	
47	3CF-27472-00	BAR, footrest 2	1	
48	90105-10299	BOLT, washer based	1	
49	90176-10049	NUT, crown	3	
50	1RM-27430-00	REAR FOOTREST ASSY 1	1	
51	1NH-27433-00	.COVER, rear footrest	1	
52	92013-06012	.BOLT	2	
53	1HX-27437-00	.WASHER, special	1	
54	91701-06038	.PIN, clevis	1	
55	91401-16015	.PIN, cotter	1	
56	90501-12743	.SPRING, compression	1	

E6

FIG. 33 STAND. FOOTREST

REF. NO.	PART NO.	DESCRIPTION	Q'TY	REMARKS
57	93501-04011	.BALL	1	
58	1RM-27440-00	REAR FOOTREST ASSY 2	1	
59	1NH-27433-00	.COVER, rear footrest	1	
60	92013-06012	.BOLT	2	
61	1HX-27437-00	.WASHER, special	1	
62	91701-06038	.PIN, clevis	1	
63	91401-16015	.PIN, cotter	1	
64	90501-12743	.SPRING, compression	1	
65	93501-04011	.BALL	1	
66	95023-08020	BOLT	3	
67	95023-08045	BOLT	1	

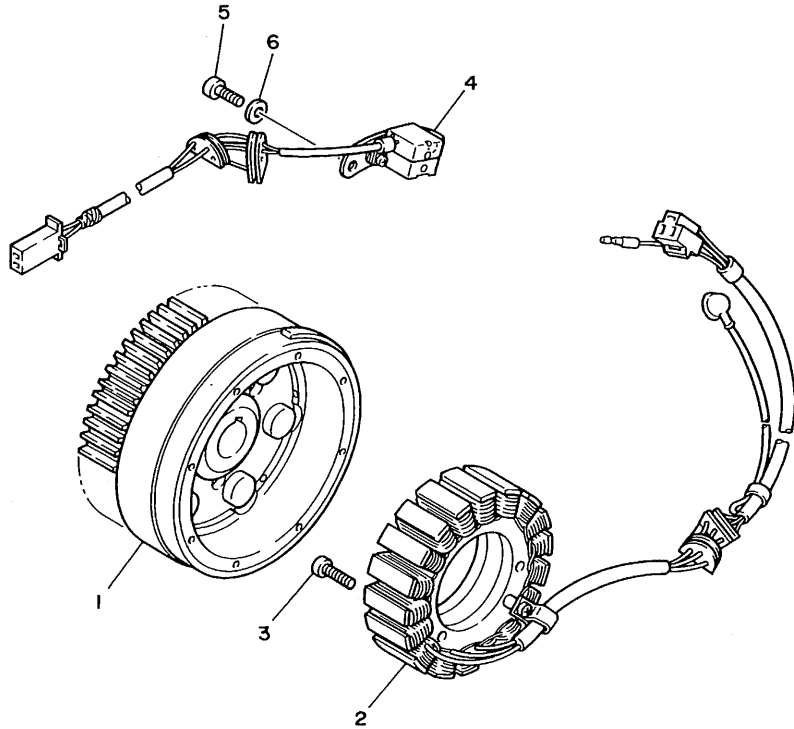


3CF110-8330

E7

FIG. 34 GENERATOR

REF. NO.	PART NO.	DESCRIPTION	Q'TY	REMARKS
1	3JK-81450-00	ROTOR ASSY	1	
2	IRM-81410-20	STATOR ASSY	1	
3	90110-06138	BOLT, hexagon socket head	3	
4	3JK-81670-00	PICK-UP ASSY	1	
5	91316-06016	BOLT	2	
6	90201-06643	WASHER, plate	2	

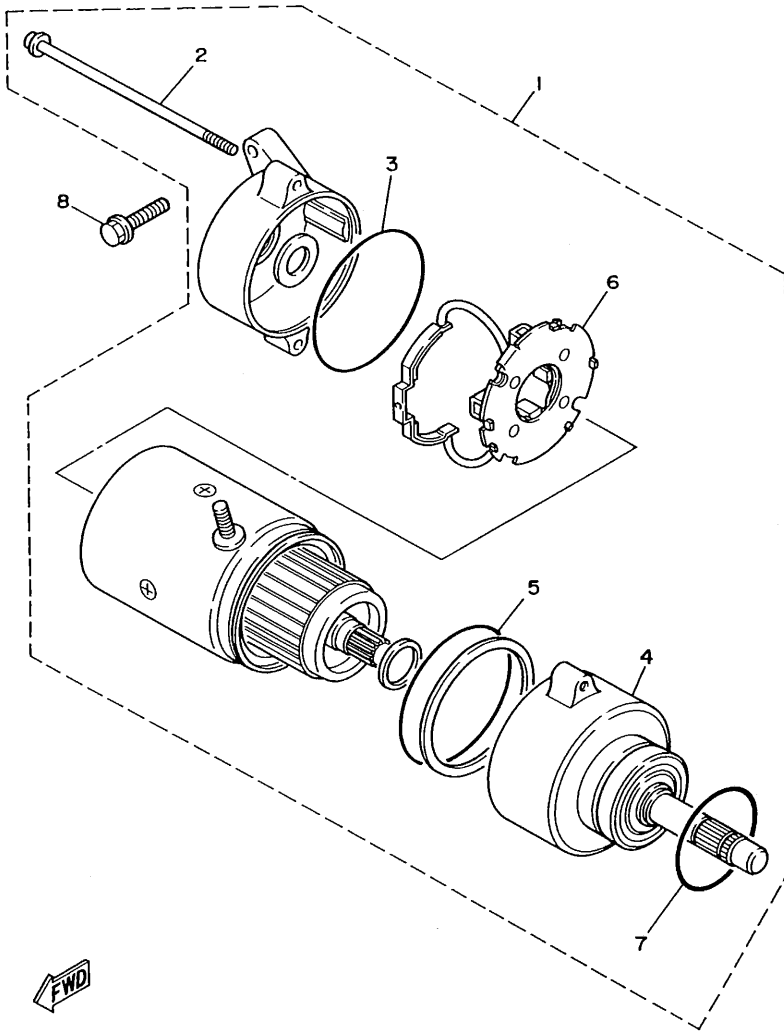


3JK7110-1340

E8

FIG. 35 STARTING MOTOR

REF. NO.	PART NO.	DESCRIPTION	Q'TY	REMARKS
1	5A8-81800-10	STARTING MOTOR ASSY	1	
2	5A8-81826-10	.BOLT	2	
3	11H-81844-00	.GASKET	1	
4	5A8-81830-10	.FRONT BRACKET ASSY	1	
5	5A8-81847-10	.O-RING	1	
6	5A8-81840-10	.BRUSH HOLDER ASSY	1	
7	1J7-81847-60	.O-RING	1	
8	95811-06025	BOLT, flange	2	



3EF3361-1350

E9

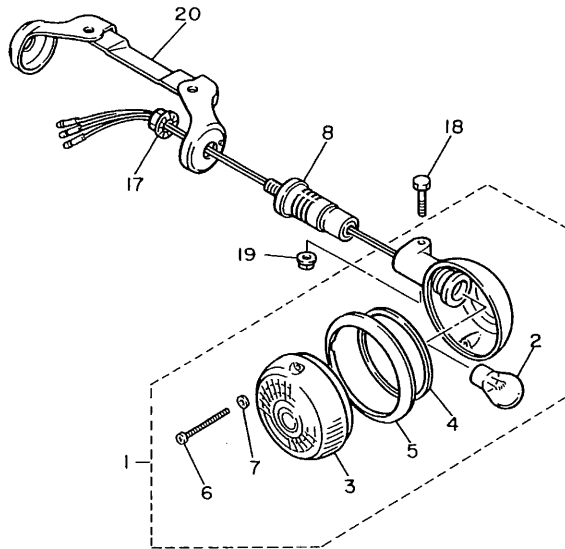
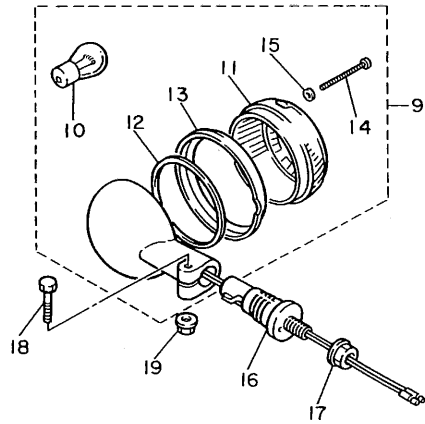


FIG. 36 FLASHER LIGHT

REF. NO.	PART NO.	DESCRIPTION	Q'TY	REMARKS
1	2EN-83310-00	FRONT FLASHER LIGHT ASSY 1	2	
2	1KT-83311-00	.BULB (12V-21W)	1	
3	42X-83312-00	.LENS, flasher	1	
4	42X-83313-00	.GASKET, flasher lens	1	
5	42X-83363-00	.LENS, rim	1	
6	341-83333-70	.SCREW, lens fitting	2	
7	42X-83359-00	.WASHER, special	2	
8	1AA-83318-00	STAY, flasher 1	2	
9	2EN-83330-00	REAR FLASHER LIGHT ASSY 1	2	
10	1KT-83311-00	.BULB (12V-21W)	1	
11	2AE-83312-00	.LENS, flasher	1	
12	42X-83313-00	.GASKET, flasher lens	1	
13	42X-83363-00	.LENS, rim	1	
14	341-83333-70	.SCREW, lens fitting	2	
15	42X-83359-00	.WASHER, special	2	
16	1AA-83328-00	STAY, flasher 2	2	
17	95706-12500	NUT, flange	4	
18	97313-06030	BOLT	4	
19	95701-06500	NUT, flange	4	
20	42X-83328-00	STAY, flasher 2	1	

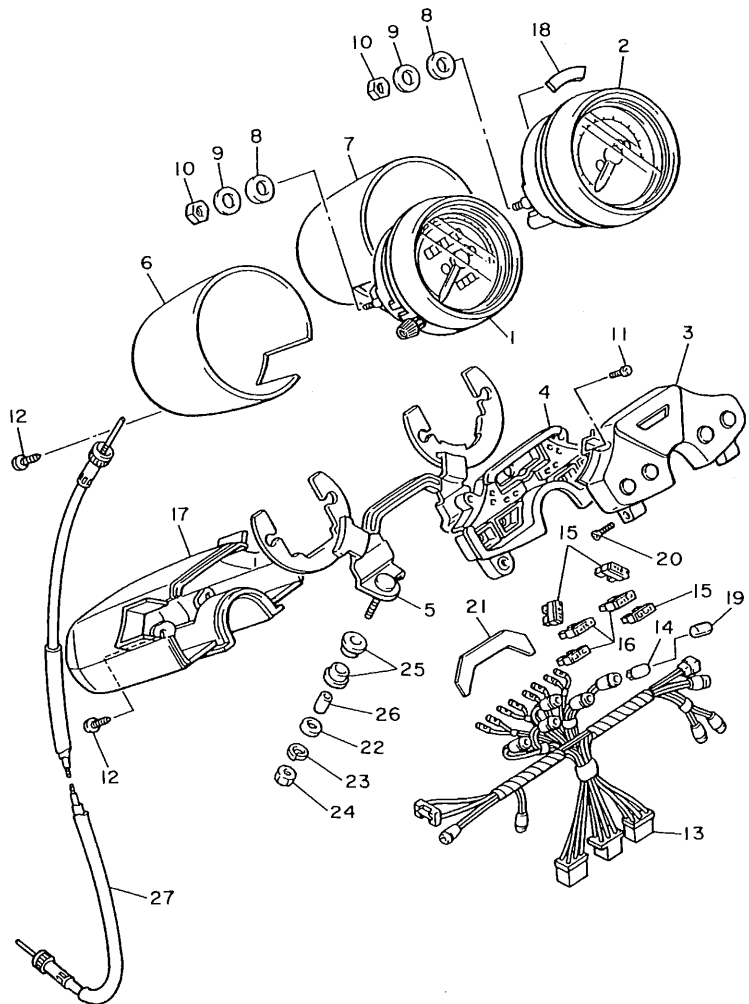


42W110-4360

E10

FIG. 37 METER

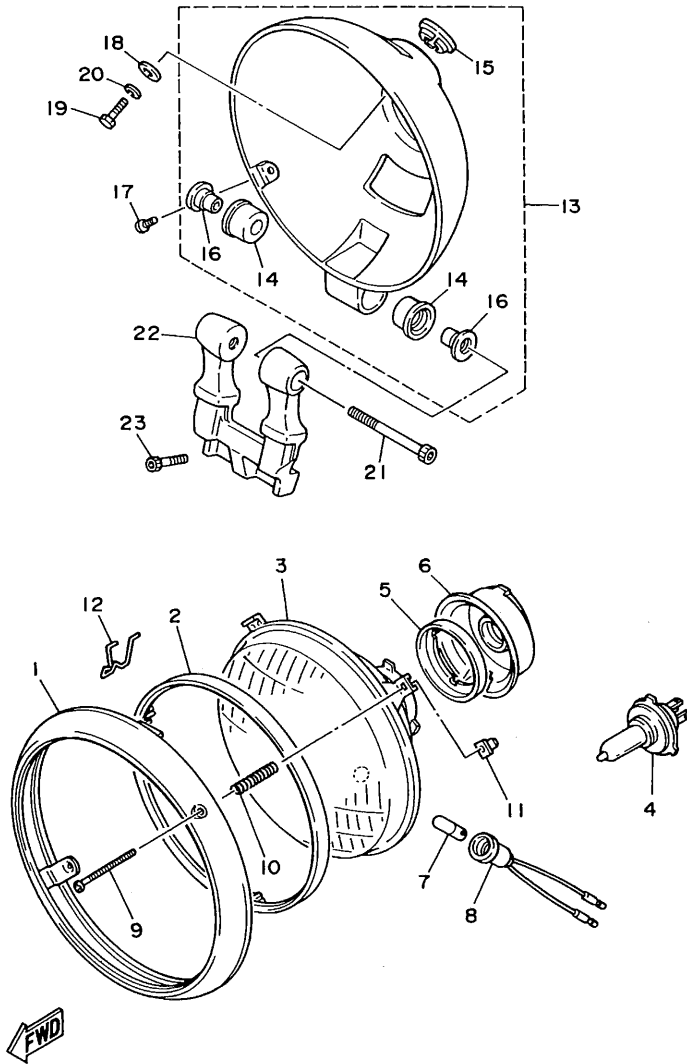
REF. NO.	PART NO.	DESCRIPTION	Q'TY	REMARKS
1	1FL-83570-F0	SPEEDOMETER ASSY	1	
2	1RM-83540-00	TACHOMETER ASSY	1	
3	3CF-8353E-00	CASE, meter upper	1	
4	3CF-8353H-00	CASE, inner	1	
5	1FG-83519-00	BRACKET, meter	1	
6	42X-83507-00	COVER, speedometer	1	METALLIC CHROME
7	42X-83508-00	COVER, tachometer	1	METALLIC CHROME
8	1FG-83523-00	DAMPER	4	
9	90201-05031	WASHER, plate	4	
10	95303-05600	NUT	4	
11	98580-04008	SCREW, pan head	2	
12	97701-40014	SCREW, tapping	6	
13	1RM-83509-00	SOCKET CORD ASSY	1	
14	42X-83517-00	BULB (12V-3W)	10	
15	36Y-82151-00	FUSE (12V-15A)	3	
16	42X-82151-20	FUSE (10A)	3	
17	42X-83559-00	COVER, meter	1	
18	1FK-83523-00	DAMPER	1	
19	1FK-83535-00	TUBE	4	
20	98701-04010	SCREW, flat head	2	
21	55R-83579-00	COVER, meter 2	1	
22	92906-06200	WASHER, plain	2	
23	92906-06100	WASHER, spring	2	
24	95316-06600	NUT	2	
25	584-83541-00	DAMPER	4	
26	90387-06249	COLLAR	2	
27	57A-83550-00	SPEEDOMETER CABLE ASSY	1	



3CF110-8370

E11

FIG. 38 HEADLIGHT

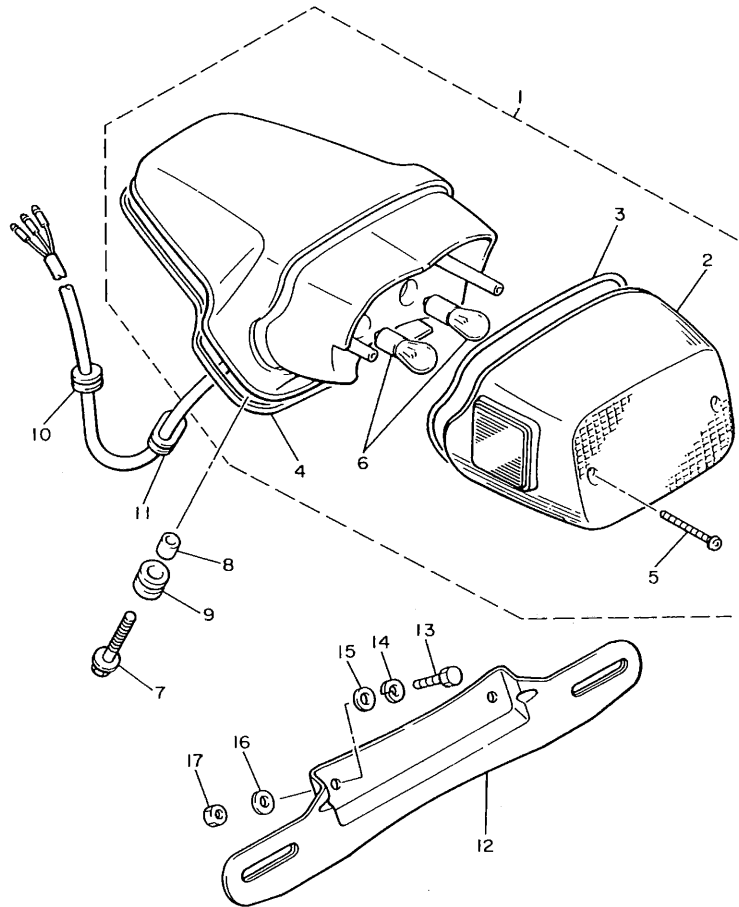


REF. NO.	PART NO.	DESCRIPTION	Q'TY	REMARKS
1	42X-84315-01	RIM, headlight	1	
2	5Y3-84395-00	RING, retaining	1	
3	2AE-84320-60	LENS ASSY	1	
4	*	BULB (12V-60/55W)	1	LM HALOGEN
5	2F9-84375-00	SETTING PLATE, bulb	1	
6	2F9-84397-01	COVER, socket	1	
7	*	BULB (12V-4W)	1	LM
8	34L-84346-00	SOCKET, pilot light	1	
9	90157-04001	SCREW, pan head	2	
10	1A0-84332-60	SPRING, screw	2	
11	198-84334-60	NUT, adjusting	2	
12	42X-84124-60	SPRING, set	1	
13	42X-84330-01	BODY ASSY	1	EMPRESS MAROON
14	42X-84345-00	.DAMPER, headlight	2	
15	42X-84366-00	.DAMPER, headlight 1	1	
16	42X-84338-00	.COLLAR, body fitting	2	
17	90157-05084	SCREW, pan head	2	
18	90201-061H3	WASHER, plate	1	
19	97313-06016	BOLT	1	
20	92990-06100	WASHER, spring	1	
21	91311-08055	BOLT	1	
22	42X-84318-00	STAY, headlight 1	1	
23	91316-06025	BOLT	2	

3EF2361-9380

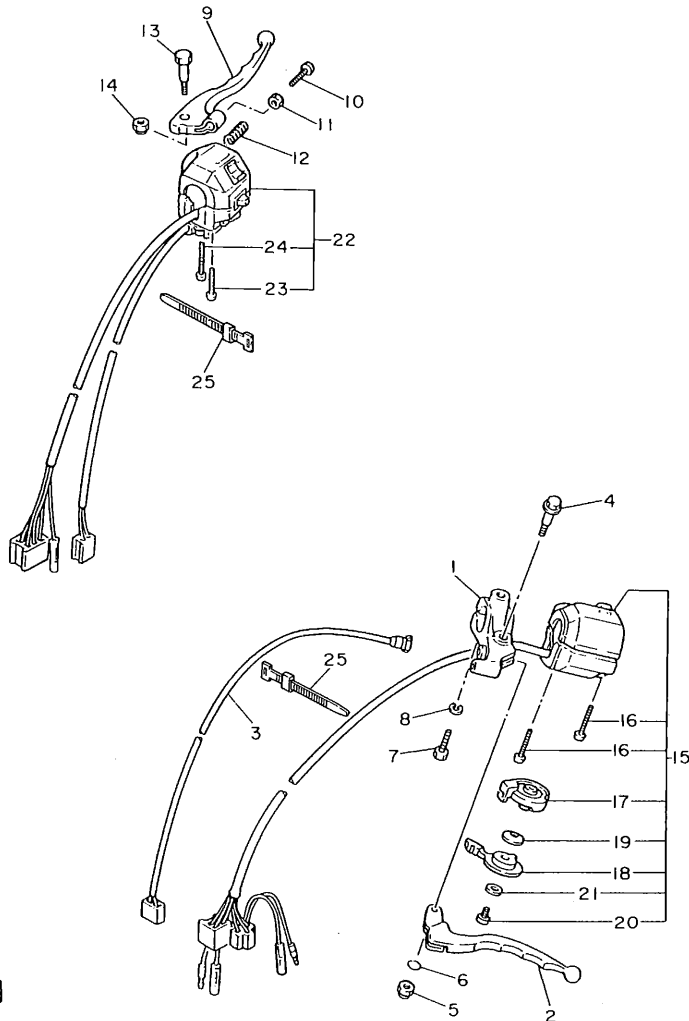
E12

FIG. 39 TAILLIGHT



REF. NO.	PART NO.	DESCRIPTION	Q'TY	REMARKS
1	2EM-84700-E0	TAILLIGHT ASSY	1	
2	2AE-84721-00	.LENS, taillight	1	
3	42X-84723-01	.GASKET, tail lens	1	
4	1RM-84704-00	.GASKET, taillight	1	
5	97701-40525	.SCREW, tapping	2	
6	*	.BULB (12V-21/5W)	2	LM
7	90119-06097	BOLT, with washer	3	
8	90387-065L5	COLLAR	3	
9	90480-14229	GROMMET	3	
10	90480-16501	GROMMET	1	
11	90480-01502	GROMMET	1	
12	2YL-84751-00	BRACKET, license	1	
13	97001-06018	BOLT	2	
14	92990-06100	WASHER, spring	2	
15	92901-06600	WASHER, plate	2	
16	92901-06600	WASHER, plate	2	
17	95303-06600	NUT	2	

FIG. 40 HANDLE SWITCH. LEVER



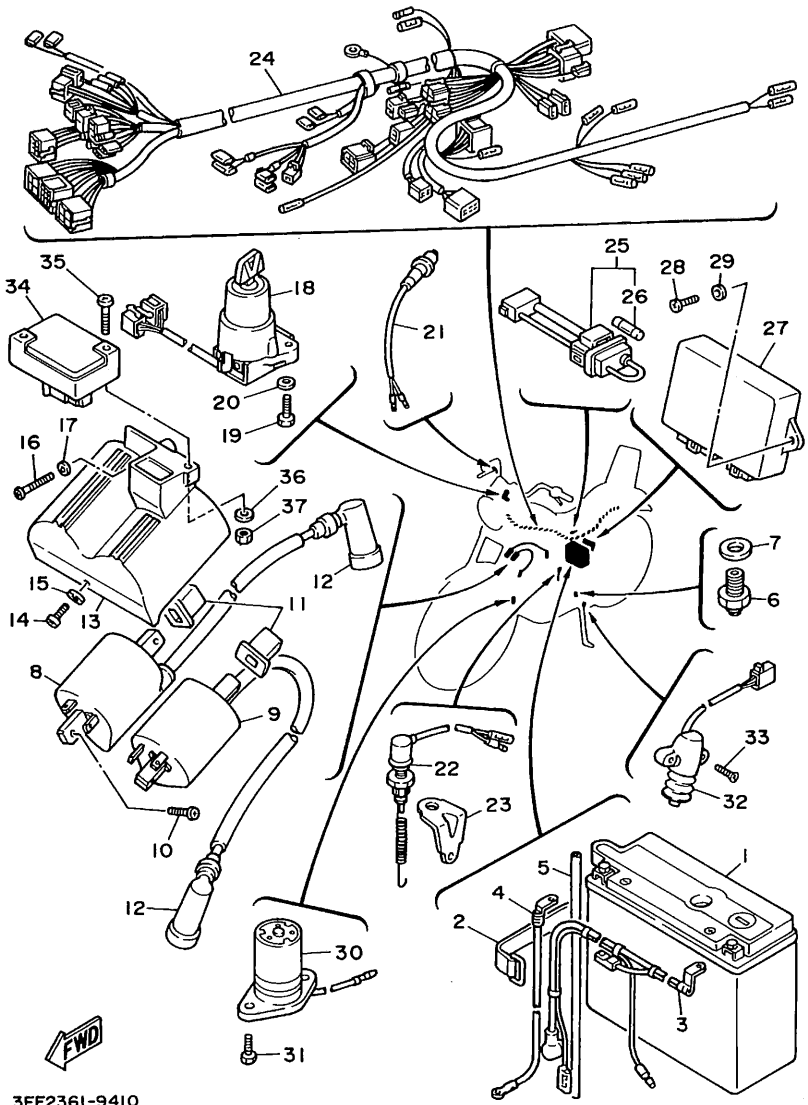
REF. NO.	PART NO.	DESCRIPTION	Q'TY	REMARKS
1	10M-82911-00	HOLDER, lever 1	1	
2	57A-83912-01	LEVER 1	1	
3	3Y6-82917-00	SWITCH	1	
4	90109-067A9	BOLT	1	
5	95616-06100	NUT, u	1	
6	93210-11368	O-RING	1	
7	97006-06022	BOLT	1	
8	92906-06100	WASHER, spring	1	
9	57A-83922-01	LEVER 2	1	
10	90149-06153	SCREW	1	
11	90170-06010	NUT	1	
12	90501-10312	SPRING, compression	1	
13	90109-06577	BOLT	1	
14	95601-06100	NUT, u	1	
15	1AT-83972-00	SWITCH, handle 4	1	
16	98506-05035	.SCREW, pan head	2	
17	10M-83942-00	.COVER, starter	1	
18	10M-83941-00	.LEVER, starter	1	
19	90209-10131	.WASHER	1	
20	98506-06008	.SCREW, pan head	1	
21	92901-06200	.WASHER, plain	1	
22	3LP-83972-00	SWITCH, handle 4	1	
23	98506-05040	.SCREW, pan head	1	
24	98506-05045	.SCREW, pan head	1	
25	437-83936-01	BAND, switch cord	4	

← FWD
2TN361-7400

E14

FIG. 41 ELECTRICAL 1

REF. NO.	PART NO.	DESCRIPTION	Q'TY	REMARKS
1	11K-82110-79	BATTERY (YAMAHA FB50-N18L-A2)	1	
2	1E6-82131-00	BAND, battery	1	
3	42H-82115-00	WIRE, plus lead	1	
4	42X-82116-00	WIRE, minus lead	1	
5	90445-081A9	HOSE	1	
6	2H7-82540-00	NEUTRAL SWITCH ASSY	1	
7	90430-10171	GASKET	1	
8	42X-82310-70	IGNITION COIL ASSY	1	
9	42X-82320-70	IGNITION COIL ASSY	1	
10	98980-05016	SCREW, bind	2	
11	42X-82317-00	DAMPER, ignition coil	2	
12	1J7-82370-00	PLUG CAP ASSY	2	
13	57A-82314-00	COVER, ignition coil	1	
14	92506-06012	SCREW, pan head	1	
15	92906-06600	WASHER, plate	1	
16	92506-06025	SCREW, pan head	1	
17	92906-06600	WASHER, plate	1	
18	2AE-82510-00	MAIN SWITCH ASSY	1	
19	97021-06016	BOLT	2	
20	92990-06600	WASHER, plate	2	
21	1A0-83980-30	FRONT STOP SWITCH ASSY	1	
22	42X-82530-01	STOP SWITCH ASSY	1	
23	42X-82539-00	STAY, stop switch	1	
24	3LP-82590-00	WIRE HARNESS ASSY	1	
25	3H5-82150-00	FUSE HOLDER ASSY	1	
26	2H7-82151-00	.FUSE (12V-30A)	2	
27	3JK-82305-00	IGNITOR UNIT ASSY	1	
28	97702-60520	SCREW, tapping	2	



3EF2361-9410

E15

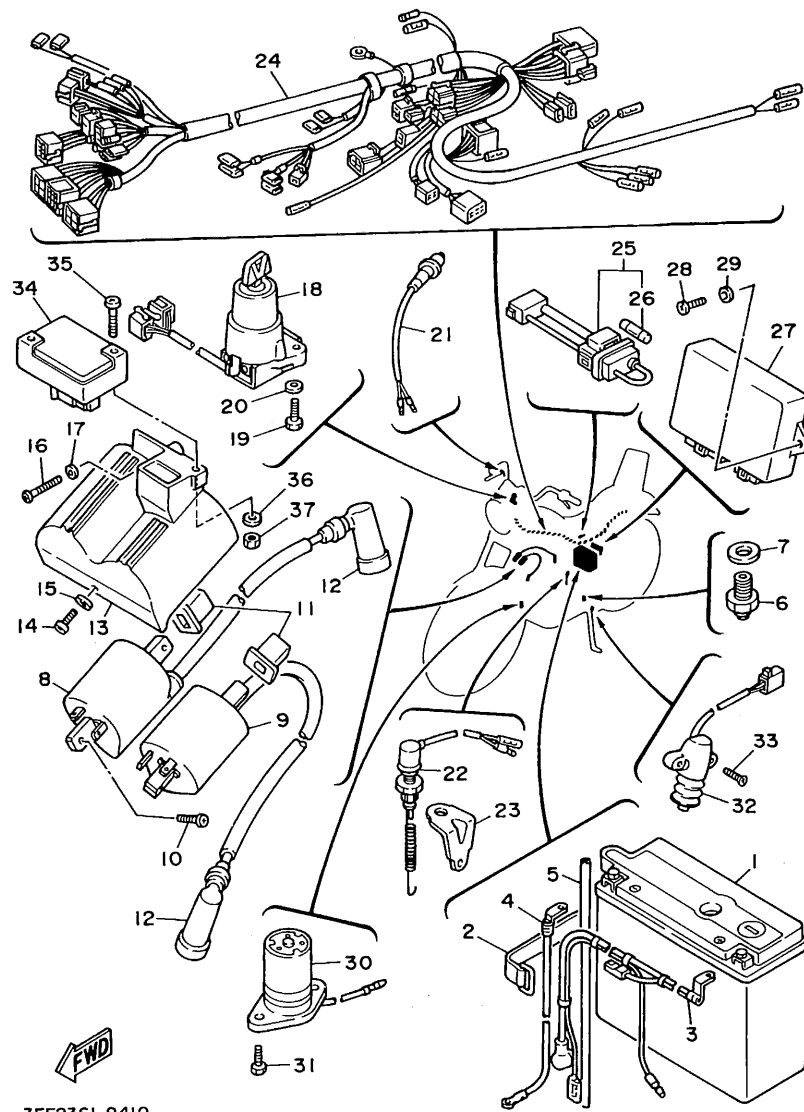


FIG. 41 ELECTRICAL 1

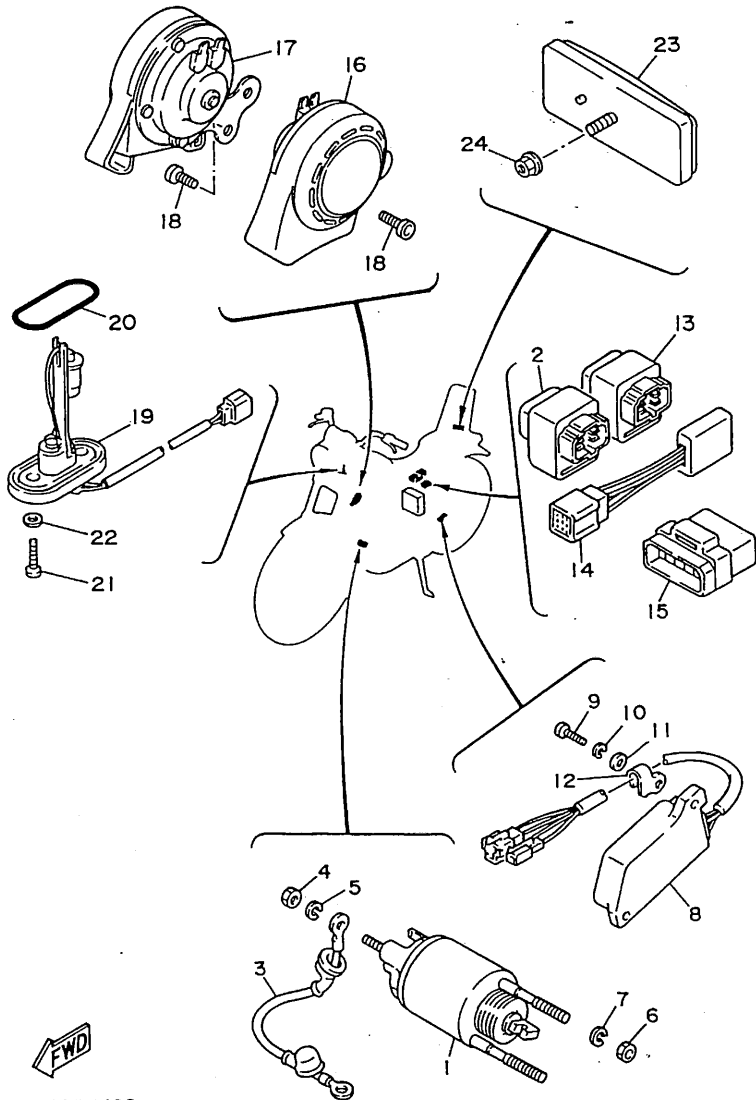
REF. NO.	PART NO.	DESCRIPTION	Q'TY	REMARKS
29	90201-063A5	WASHER, plate	2	
30	3JK-85720-00	OIL LEVEL GAUGE ASSY	1	
31	91311-06016	BOLT	2	
32	33E-82566-00	SWITCH, side stand	1	
33	90152-05021	SCREW, countersunk	2	
34	1TA-82380-20	SENSOR, pressure	1	
35	92516-06030	SCREW, pan head	1	
36	92906-06600	WASHER, plate	1	
37	90170-06184	NUT	1	

3EF2361-9410

F2

FIG. 42 ELECTRICAL 2

REF. NO.	PART NO.	DESCRIPTION	Q'TY	REMARKS
1	5A8-86110-50	SOLENOID	1	
2	25G-81950-01	RELAY ASSY	1	
3	3JK-81815-00	CORD, starter motor	1	
4	95303-06700	NUT	1	
5	92990-06100	WASHER, spring	1	
6	95303-08700	NUT	2	
7	92902-08100	WASHER, spring	2	
8	42X-81960-A0	RECTIFIER & REGULATOR ASSY	1	
9	98502-06016	SCREW, pan head	2	
10	92990-06100	WASHER, spring	2	
11	92990-06600	WASHER, plate	2	
12	90465-10264	CLAMP	1	
13	25G-81950-01	RELAY ASSY	1	
14	4U8-81980-M0	RECTIFIER 2	1	FOR SIDE STAND SAFTY DEISE
15	41R-83350-71	FLASHER RELAY ASSY	1	
16	1RM-83371-00	HORN	1	
17	1RM-83371-10	HORN	1	
18	91316-06012	BOLT	2	
19	42H-85752-01	SENDER UNIT ASSY, fuel meter	1	
20	42X-85753-00	GASKET, sender unit	1	
21	90149-06011	SCREW	2	
22	90202-06010	WASHER, plate	2	
23	42X-85130-01	REAR REFLECTOR ASSY 1	1	
24	95701-05500	NUT, flange	1	



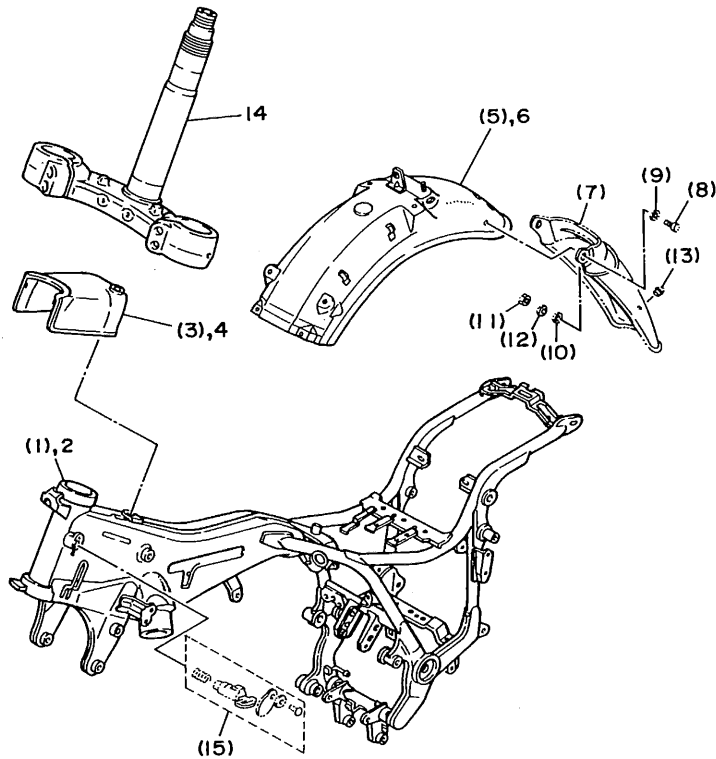
3LP2300-1420

INDIVIDUAL SPEC.

FOR ENGLAND

The following pages provides a listing of only the parts that meet the specifications peculiar to your market. For those parts not appearing in these pages, refer to the "GENERAL SPEC" section.

FIG. 43 ALTERNATE (CHASSIS)



REF. NO.	PART NO.	DESCRIPTION	Q'TY	REMARKS
1	3LP-21110-00-33	FRAME COMP.	*	YAMAHA BLACK
2	3CF-21110-00-33	FRAME COMP.	1	YAMAHA BLACK
3	2AE-2139R-00	COVER 2	*	
4	42X-2139R-00	COVER 2	1	
5	3EF-21610-00-6G	REAR FENDER COMP.	*	NEW YAMAHA BLACK
6	1RM-21610-01-6G	REAR FENDER COMP.	1	NEW YAMAHA BLACK
7	3LP-21621-00	FLAP	*	
8	92506-06012	SCREW, pan head	*	
9	92906-06600	WASHER, plate	*	
10	90430-06139	GASKET	*	
11	95302-06600	NUT	*	
12	92902-06200	WASHER, wave	*	
13	4G0-21639-00	DAMPER 2	*	
14	2AE-23340-30	UNDER BRACKET COMP.	1	
15	*	STEERING LOCK ASSY	*	LM

* For convenience of reference:

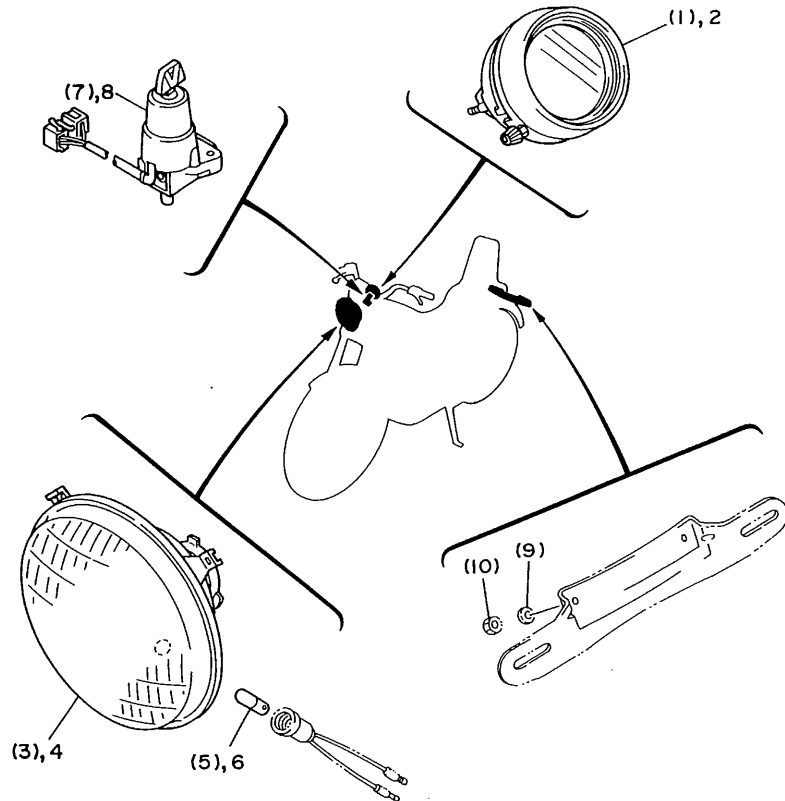
Disregard the items asterisked (*) in the "QTY" column. These are intended for GENERAL SPEC, and NOT for INDIVIDUAL SPEC.



3LP2300-1430

F5

FIG. 44 ALTERNATE (ELECTRICAL)



REF. NO.	PART NO.	DESCRIPTION	Q'TY	REMARKS
1	1FL-83570-F0	SPEEDOMETER ASSY	*	
2	3LP-83570-00	SPEEDOMETER ASSY	1	
3	2AE-84320-G0	LENS ASSY	*	
4	55R-84321-H0	LENS ASSY	1	
5	*	BULB (12V-4W)	*	LM
6	*	BULB (12V-3.4W)	1	LM
7	2AE-82510-00	MAIN SWITCH ASSY	*	
8	2AE-82501-01	MAIN SWITCH STEERING LOCK	1	
9	92901-06600	WASHER, plate	*	
10	95302-06600	NUT	*	

* For convenience of reference:

Disregard the items asterisked (*) in the "QTY" column. These are intended for GENERAL SPEC, and NOT for INDIVIDUAL SPEC.



3LP2300-1440

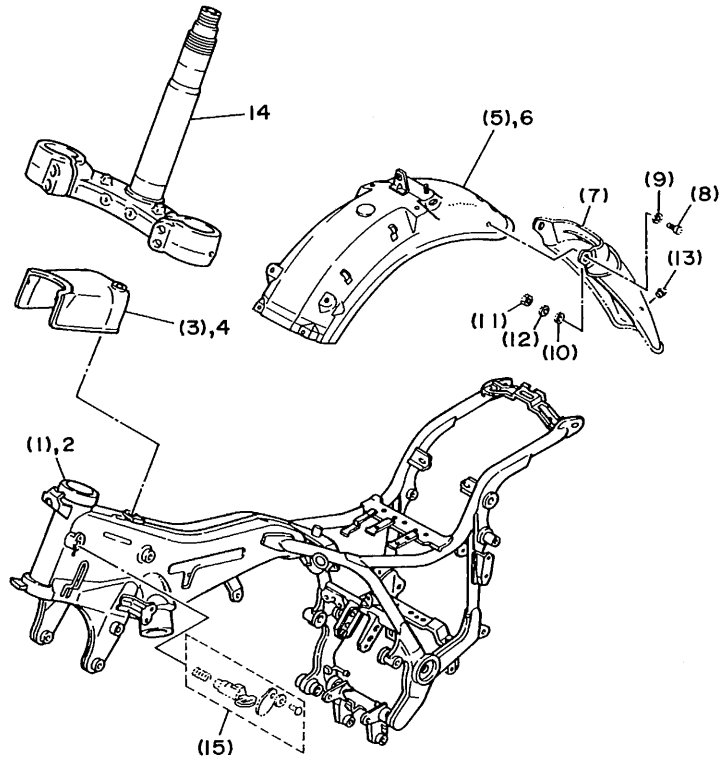
F6



FOR ITALY

The following pages provides a listing of only the parts that meet the specifications peculiar to your market. For those parts not appearing in these pages, refer to the "GENERAL SPEC" section.

FIG. 45 ALTERNATE (CHASSIS)



REF. NO.	PART NO.	DESCRIPTION	Q'TY	REMARKS
1	3LP-21110-00-33	FRAME COMP.	*	YAMAHA BLACK
2	3CF-21110-00-33	FRAME COMP.	1	YAMAHA BLACK
3	2AE-2139R-00	COVER 2	*	
4	42X-2139R-00	COVER 2	1	
5	3EF-21610-00-6G	REAR FENDER COMP.	*	NEW YAMAHA BLACK
6	1RM-21610-01-6G	REAR FENDER COMP.	1	NEW YAMAHA BLACK
7	3LP-21621-00	FLAP	*	
8	92506-06012	SCREW, pan head	*	
9	92906-06600	WASHER, plate	*	
10	90430-06139	GASKET	*	
11	95302-06600	NUT	*	
12	92902-06200	WASHER, wave	*	
13	4G0-21639-00	DAMPER 2	*	
14	2AE-23340-30	UNDER BRACKET COMP.	1	
15	*	STEERING LOCK ASSY	*	LM

* For convenience of reference:

Disregard the items asterisked (*) in the "QTY" column. These are intended for GENERAL SPEC, and NOT for INDIVIDUAL SPEC.

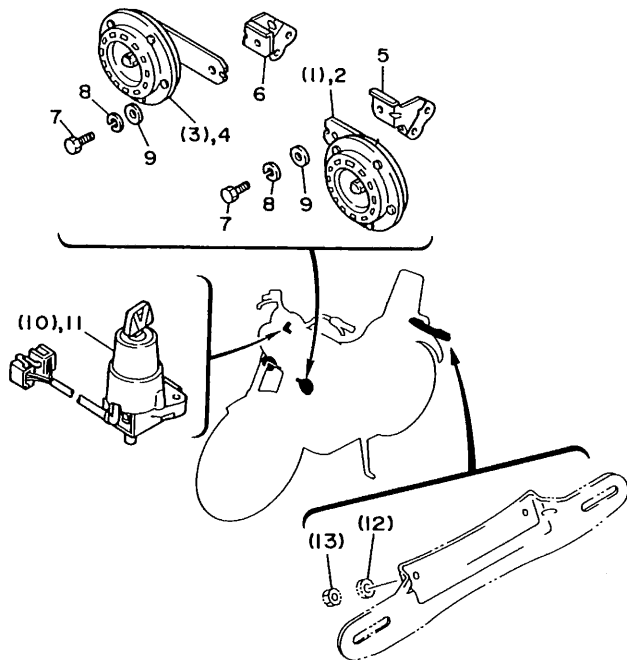


3LP2300-1430

F8

FIG. 46 ALTERNATE (ELECTRICAL)

REF. NO.	PART NO.	DESCRIPTION	Q'TY	REMARKS
1	1RM-83371-00	HORN	*	
2	2AE-83371-00	HORN	1	
3	1RM-83371-10	HORN	*	
4	2AE-83371-10	HORN	1	
5	2AE-83378-00	STAY, horn	1	
6	2AE-83378-10	STAY, horn	1	
7	97026-08012	BOLT	2	
8	92906-08100	WASHER, spring	2	
9	92906-08600	WASHER, plate	2	
10	2AE-82510-00	MAIN SWITCH ASSY	*	
11	2AE-82501-01	MAIN SWITCH STEERING LOCK	1	
12	92901-06600	WASHER, plate	*	
13	95302-06600	NUT	*	



3LP2300-1460

* For convenience of reference:

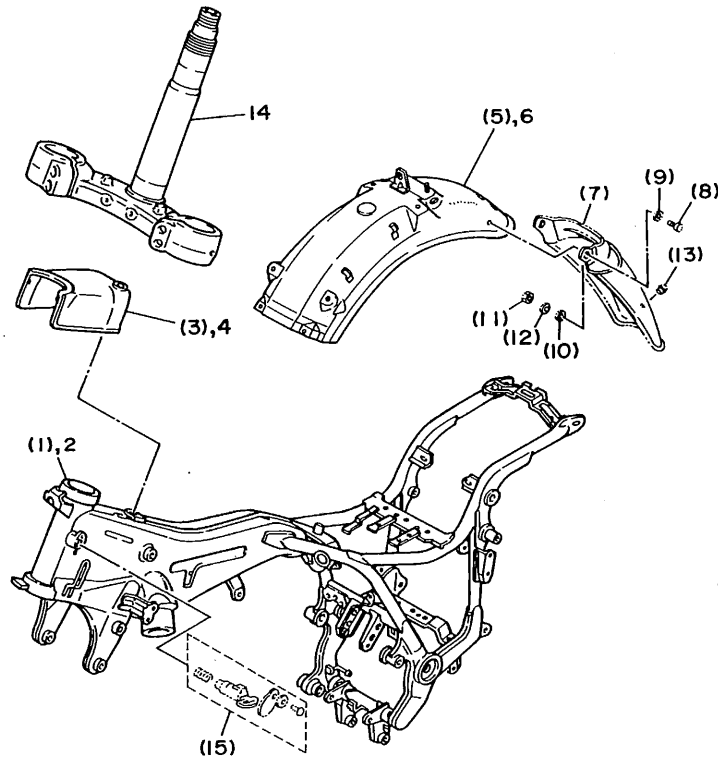
Disregard the items asterisked (*) in the "QTY" column. These are intended for GENERAL SPEC, and NOT for INDIVIDUAL SPEC.

F9

FOR OCEANIA

The following pages provides a listing of only the parts that meet the specifications peculiar to your market. For those parts not appearing in these pages, refer to the "GENERAL SPEC" section.

FIG. 47 ALTERNATE (CHASSIS 1)



REF. NO.	PART NO.	DESCRIPTION	Q'TY	REMARKS
1	3LP-21110-00-33	FRAME COMP.	*	YAMAHA BLACK
2	3CF-21110-00-33	FRAME COMP.	1	YAMAHA BLACK
3	2AE-2139R-00	COVER 2	*	
4	42X-2139R-00	COVER 2	1	
5	3EF-21610-00-6G	REAR FENDER COMP.	*	NEW YAMAHA BLACK
6	1RM-21610-01-6G	REAR FENDER COMP.	1	NEW YAMAHA BLACK
7	3LP-21621-00	FLAP	*	
8	92506-06012	SCREW, pan head	*	
9	92906-06600	WASHER, plate	*	
10	90430-06139	GASKET	*	
11	95302-06600	NUT	*	
12	92902-06200	WASHER, wave	*	
13	4G0-21639-00	DAMPER 2	*	
14	2AE-23340-30	UNDER BRACKET COMP.	1	
15	*	STEERING LOCK ASSY	*	LM

* For convenience of reference:

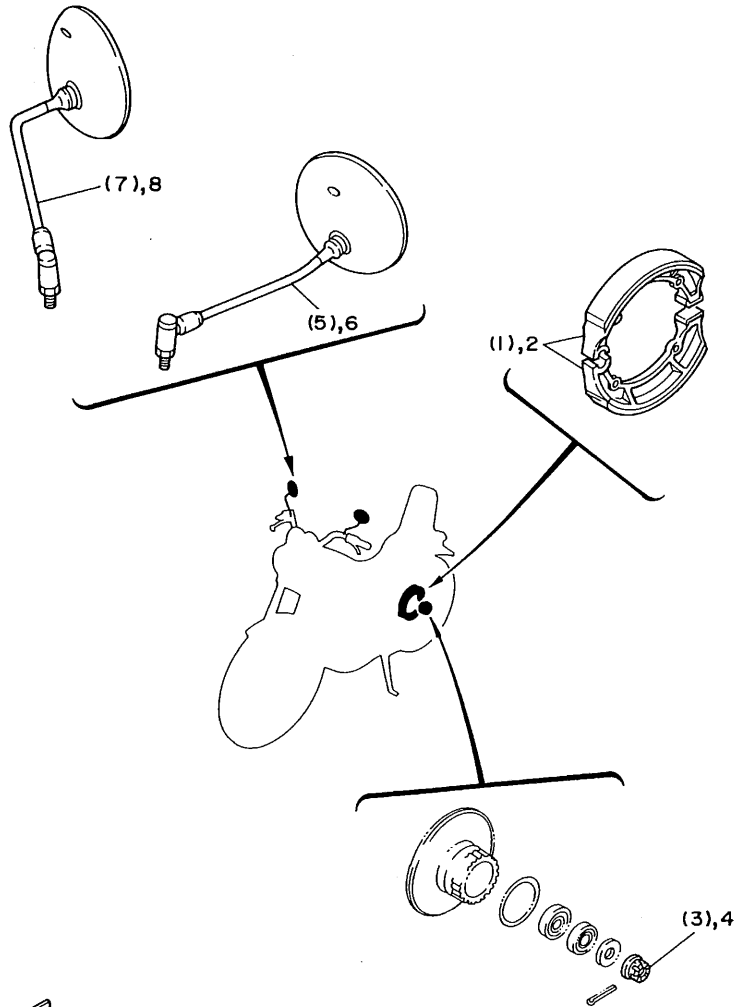
Disregard the items asterisked (*) in the "QTY" column. These are intended for GENERAL SPEC, and NOT for INDIVIDUAL SPEC.



3LP2300-1430

F11

FIG. 48 ALTERNATE (CHASSIS 2)



REF. NO.	PART NO.	DESCRIPTION	Q'TY	REMARKS
1	3DR-W2536-00	BRAKE SHOE SET	*	
2	5A8-W2536-00	BRAKE SHOE SET	1	
3	90171-14029	NUT, castle	*	
4	90171-14044	NUT, castle	1	
5	1J7-26290-F0	BACK MIRROR ASSY (LEFT)	*	
6	4H7-26290-30	BACK MIRROR ASSY (LEFT)	1	
7	1J7-26290-G0	BACK MIRROR ASSY (RIGHT)	*	
8	1J7-26290-40	BACK MIRROR ASSY (RIGHT)	1	

* For convenience of reference:

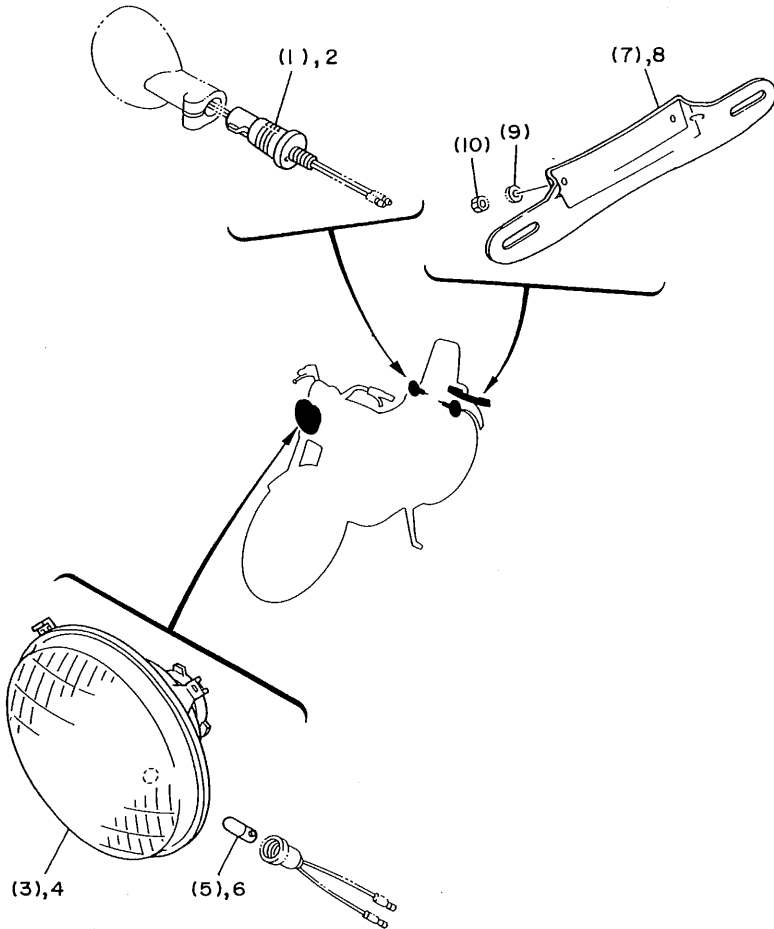
Disregard the items asterisked (*) in the "QTY" column. These are intended for GENERAL SPEC, and NOT for INDIVIDUAL SPEC.

FWD
3LP2300-1480

F12

FIG. 49 ALTERNATE (ELECTRICAL)

REF. NO.	PART NO.	DESCRIPTION	Q'TY	REMARKS
1	1AA-83328-00	STAY, flasher 2	*	
2	1AA-83318-00	STAY, flasher 1	2	
3	2AE-84320-G0	LENS ASSY	*	
4	55R-84321-H0	LENS HEADLIGHT	1	
5	*	BULB (12V-4W)	* LM	
6	*	BULB (12V-3.4W)	1 LM	
7	2YL-84751-00	BRACKET, liscence	*	
8	1RM-84751-00	BRACKET, liscence	1	
9	92901-06600	WASHER, plate	*	
10	95303-06600	NUT	*	



3LP2300-1490

* For convenience of reference:

Disregard the items asterisked (*) in the "QTY" column. These are intended for GENERAL SPEC, and NOT for INDIVIDUAL SPEC.

F13

INDEX

(GENERAL SPEC.)

NUMERICAL INDEX

PART NO.	GRID NO.	PART NO.	GRID NO.	PART NO.	GRID NO.	PART NO.	GRID NO.	PART NO.	GRID NO.	PART NO.	GRID NO.
4K0-W0041-50	E- 4	5A8-11650-00	B- 5	3CG-13542-00	B-11	4X7-14613-00	C- 2	5A8-15517-00	C- 6	1J7-17537-Y0-40	D- 5
26H-W0045-11	D-14	4X7-11654-01	B- 5	42X-13544-00	B-11	1TA-14621-00	C- 2	4X7-15521-00	C- 6	1J7-17537-Y0-50	D- 5
	D-14		B- 5	42X-13564-01	B-11	42X-14663-02	B-12	5A8-15524-00	C- 6	11H-17551-00	C-10
26H-W0047-00	D-14	4X7-11656-00	B- 5	16G-13569-00	B-11	42X-1468A-00	C- 2	5A8-15542-00	C- 6	4X7-17554-00	C-10
	D-14	4X7-11656-10	B- 5		B-11	2TN-14711-00	C- 2	5A8-15550-00	C- 6	4X7-17556-00	C-10
1J3-W0048-00	D-14	4X7-11656-20	B- 5	42X-13578-00	B-11	34K-14714-00	C- 2	5A8-15556-00	C- 6	4X7-17558-00	C-10
	D-14	4X7-11656-30	B- 5	1TA-13586-00	B-11	42X-14714-00	C- 2	5A8-15568-00	C- 6	23W-17582-00	C- 9
26H-W0057-00	D-14	4X7-11656-40	B- 5	24M-13586-01	B-11	42X-14748-01	C- 2	1TA-15570-00	C- 6	23W-17583-00	C- 9
	D-14	5G5-11656-00	B- 5	1TA-13595-00	B-11	3RW-14766-00	B- 2	4X7-16111-00	C- 7	56W-17590-00	D- 6
3JK-W1542-00	C- 5	5G5-11656-10	B- 5	42H-13907-00	B-11		C- 2	4X7-16150-02	C- 7	42X-18110-01	C-13
42X-W2341-01-38	D- 7	5G5-11656-20	B- 6	42H-13971-00	B-11	42X-1479H-00	C- 2	3Y1-16154-00	C- 7	42X-18112-01	C-13
3DR-W2536-00	D-15	5A8-11660-00	B- 5	3CF-1410A-00	B-14	3CF-1490H-00	B-14	22U-16321-00	C- 7	132-18113-01	C-13
3CF-W2611-10	E- 3	2J2-12111-01	B- 7	3CF-14103-00	B-15	3CN-1490J-00	B-14	4X7-16324-00	C- 7	29L-18115-00	C-13
5A8-W2810-00	D-12	1TA-12113-00	B- 7	12R-14105-00	B-14	3CF-1490K-00	B-15	1TA-16325-00	C- 8	4X7-18120-01	C-13
1TA-Y1757-00	C-10	1TA-12114-00	B- 7	3CF-14107-15	B-14	3LP-14900-00	B-14	1TA-16334-00	C- 8	4X7-18140-00	C-13
1TF-11102-00	B- 2	4X7-12116-00	B- 7	3CF-14141-93	B-14	3LP-14901-00	B-14	1TA-16335-00	C- 8	2H9-18154-00	C-13
4X7-1111F-00	B- 3	4X7-12117-00	B- 7	4G0-14142-40	B-14	3LP-14902-00	B-14	4X7-16340-00	C- 7		C-13
42X-1111H-01	B- 2	4X7-12118-00	B- 7	137-14153-00	B-14	3CF-14919-00	B-15	2H7-16341-00	C- 7	4G0-18185-01	C-12
1RM-1112E-00	B- 3	341-12119-02	B- 7	2VA-14185-00	B-14	3CF-14933-00	B-14	2H7-16343-00	C- 7	4X7-18511-00	C-12
4X7-11127-00	B- 2	5A8-12121-00	B- 7	537-14186-00	B-14	2JU-14937-00	B-14	1TA-16351-00	C- 8	4X7-18512-00	C-12
4X7-11133-10	B- 2	42X-12151-00	B- 7	12R-14191-00	B-14	3CF-14937-00	B-15	1TA-16352-00	C- 8	4X7-18513-00	C-12
42X-11145-00	B- 8	4X7-12156-01	B- 7	3CF-14197-00	B-15	3CF-14940-00	B-14	4X7-16356-00	C- 7	4X7-18531-00	C-12
42X-11152-00	B- 2	4X7-12159-00	B- 7	3CG-14197-00	B-11	256-14954-00	B-14	4X7-16357-00	C- 7	4X7-18536-00	C-12
4X7-11161-00	B- 4	42H-12171-00	B- 8		B-15	3CF-14984-00	B-14	1TA-16371-00	C- 7	4X7-18540-01	C-12
42X-11165-00	B- 2	4X7-12176-00	B- 8	620-1423A-75	B-14	3CG-14987-00	B-11	4X7-16383-01	C- 7	136-18542-00	C-12
42X-11166-01	B- 2	42H-12181-00	B- 8	1HX-14231-28	B-14	22F-14991-00	B-15	4X7-16384-00	C- 7	3LP-21110-00-33	C-14
42H-11181-00	B- 2	4X7-12210-01	B- 8	3G2-14231-12	B-14	3CF-14991-00	B-14	4X7-16385-00	C- 7	42X-21164-00	C- 3
42X-11185-01	C- 2	4X7-12213-00	B- 4	620-14231-25-A0	B-14	42H-15100-02	C- 3	2H7-16395-01	C- 7	42X-2117F-00	D- 3
1L9-11186-00	C- 4		B- 8	3CF-14251-00	B-15	2H7-15361-00	C- 4	2H7-16396-00	C- 7	42X-21171-00	D- 3
42H-11186-01	B- 2	4X7-12215-00	B- 4	1TA-14348-00	B-11	4X7-15361-00	C- 4	4X7-17121-00	C- 9	26H-21308-00	C-15
4X7-11187-00	B- 2	4X7-12221-00	B- 8	1TA-14349-00	B-11	57A-15363-11	C- 3	4X7-17141-00	C- 9	42X-21315-00	C-14
214-11198-01	B- 9	4X7-12231-00	B- 8	3CG-14396-00	B-11	4X7-15388-00	C- 5	42X-17151-00	C- 9	42X-21316-00	C-14
	D- 6	4X7-12241-00	B- 8	42X-14401-01	B-12	1RM-15411-01	C- 4	1TA-17211-00	C- 9	42X-21317-00	C-14
1TA-11310-00	B- 4	4X7-12247-01	B- 8	10L-14407-00	B-12	1RM-15415-00	C- 4	4X7-17221-00	C- 9	42X-21359-00	C-14
5A8-11351-00	B- 4	1RM-13161-00	C- 5	1TA-1441A-00	B-12	42X-15417-01	C- 4	4X7-17231-00	C- 9	5H9-21376-00	D-12
4X7-11363-01	B- 2	4X7-13171-00	B- 9	1TA-1441E-00	B-12	1RM-15419-00	C- 4	4X7-17241-00	C- 9	2AE-2139R-00	C-14
1TA-11411-00	B- 5	10L-13300-00	B- 9	1TA-1441K-00	B-13	3UK-15425-00	C- 4	42X-17251-00	C- 9	42X-21458-01	C-14
4X7-11534-00	B- 8	10L-13327-00	B- 9	1RM-14422-00	B-12	3CG-15429-00	C- 4	4X7-17402-00	C- 9	4X7-21485-00	C-14
4X7-11536-00	B- 8	4X7-13354-00	B- 5	42X-14451-00	B-12	42X-15441-00	C- 4	1TA-17411-00	C- 9	1MY-21510-00-6G	C-15
4X7-11540-01	B- 8	4X7-13355-00	B- 9	42X-14452-00	B-12	4X7-15451-00	C- 4	4X7-17524-00	C-10	3EF-21610-00-6G	C-15
4X7-11550-00	B- 8	4X7-13405-00	B- 9	10L-14453-01	B-12	1RM-15455-00	C- 4	42X-17526-01	C-10	1RM-2162G-00	D-12
1TA-11610-00	B- 5	1RM-13406-00	B- 9	42X-14477-00	B-12	1RM-15459-00	C- 4	31A-17527-00	C-10	3EF-21621-00	C-15
1TA-11610-20	B- 5	4X7-13419-00	C- 3	12R-14484-01	B-13	4X7-15462-00	C- 5	3H5-17529-00	C-10	3LP-21621-00	C-15
1TA-11610-40	B- 5	4X7-13440-90	B-10	42X-14484-00	B-13	4X7-15484-00	B- 9	4X7-17531-00-15	C-10	42X-21629-00	C-15
1TA-11631-00-A0	B- 5	1RM-13447-00	B-10	42X-14485-00	B-12	4X7-15485-01	B- 9	4X7-17531-00-30	C-10	460-21639-00	D- 2
5A8-11633-00	B- 5	4X7-13455-00	B- 9	1RM-14603-00	B-13		B- 9	4X7-17531-00-50	C-10	42H-2164A-02	C-15
1TA-11636-00	B- 5	11H-13490-00	B-10	42H-14611-00	C- 2	4X7-15491-00	C- 3	1J7-17537-Y0-15	D- 5	1RM-2164F-00	C-15
1TA-11638-00	B- 5	42H-13532-00	B-11	57A-14612-01	C- 2	1TA-15512-00	C- 6	1J7-17537-Y0-30	D- 5	1RM-2164G-00	C-15

NUMERICAL INDEX

PART NO.	GRID NO.	PART NO.	GRID NO.	PART NO.	GRID NO.	PART NO.	GRID NO.	PART NO.	GRID NO.	PART NO.	GRID NO.
3JK-2164H-00	C-15	2TK-23145-00	D- 8	3CF-24723-00	D-12	29L-25919-00	D-14	4H7-46125-00	D- 5	42X-83312-00	E-10
3JK-2164J-00	C-15		D- 8	509-24724-00	D-12	1KT-25924-00	D-14	1J7-46129-Y1	C-10	42X-83313-00	E-10
5A8-21708-00	D-12	4V2-23146-L0	D- 8	42X-2473R-00	D-12		D-14	4H7-46152-00	D- 5		E-10
42X-21711-00-66	D- 3		D- 8	42X-2473T-00	D-12	26H-25925-00	D-14	4H7-46153-00	D- 5	1AA-83318-00	E-10
466-21717-00	D- 3	3J2-23147-00	D- 9	3CF-24730-00	D-12		D-14	4X7-46172-00	D- 6	1AA-83328-00	E-10
42X-2172W-02	D- 3	3R4-23153-00	D- 8	3CF-24731-00	D-12	3JB-26240-00	E- 3	4X7-46180-00	D- 6	42X-83328-00	E-10
42X-21721-00-66	D- 3		D- 8	1L9-24741-00	D-12	3JB-26241-00	E- 3	1RM-81410-20	E- 8	2E8-83330-00	E-10
42X-2176E-00	D- 3	42H-23153-00	D- 9	42H-24786-00	C-15	3JB-26273-00	E- 3	3JK-81450-00	E- 8	341-83333-70	E-10
42X-2177K-00	D-12	509-23158-L0	D- 8	1A1-25115-00	D-15	3JB-2628J-00	E- 3	3JK-81670-00	E- 8		E-10
56F-21781-00	D- 3		D- 9	146-25115-00	D-13	1J7-26290-F0	E- 3	5A8-81800-10	E- 9	41R-83350-71	F- 3
56F-21782-00	D- 3	42H-23163-00	D- 9	56W-2512A-00	D-13	1J7-26290-G0	E- 3	3JK-81815-00	F- 3	42X-83359-00	E-10
1RM-22110-00-35	D- 4	42H-23168-00	D- 8	56W-2512A-10	D-13	3CF-26311-00	E- 3	5A8-81826-10	E- 9		E-10
1J7-22141-00	D- 4		D- 9	56W-25168-00-P1	D-13	3CF-26312-00	E- 3	5A8-81830-10	E- 9	42X-83363-00	E-10
42X-22141-00	D- 4	1RM-2317E-00	D- 7	42X-25181-00	D-13	3CF-26331-00	E- 3	5A8-81840-10	E- 9		E-10
1J7-22143-00	D- 4	33M-23170-00	D- 8	3JK-25190-00	D-13	57A-26335-00	E- 3	11H-81844-00	E- 9	1RM-83371-00	F- 3
4X7-22189-01	D- 4		D- 9	42H-25321-02	D-15	1E6-26342-00	E- 3	1J7-81847-60	E- 9	1RM-83371-10	F- 3
2H7-2219X-00	D- 4	5A8-23173-00	D- 8	16G-25327-00	D-15	5H0-26393-00	E- 3	5A8-81847-10	E- 9	42X-83370-00	E-11
3JK-22210-00	D- 4		D- 9	4H7-2533A-02	D-15	42X-27111-00-R4	E- 5	25G-81950-01	F- 3	42X-83508-00	E-11
3JK-22220-00	D- 4	42H-2318J-00	D- 9	42H-25338-01-P1	D-15	371-27114-00	E- 5		F- 3	1RM-83509-00	E-11
57A-22243-01	D- 4	278-23181-50	D- 8	4H7-25351-00	D-15	3CF-27211-00-93	E- 5	42X-81960-A0	F- 3	42X-83517-00	E-11
3LP-23102-00	D- 8		D- 9	3CF-25355-00	D-15	42X-27212-00	E- 5	4U8-81980-M0	F- 3	1FG-83519-00	E-11
3LP-23103-00	D- 8	10M-23184-01	D- 9	42H-25364-00	D-15	3CF-27231-01	E- 5	11K-82110-79	E-15	1FG-83523-00	E-11
1TA-23110-00	D- 8	42H-23188-00	D- 9	16G-25366-01	D-15	3CF-27241-00	E- 5	42H-82115-00	E-15	1FK-83523-00	E-11
		23X-23190-L0	D- 8	42X-25371-00	E- 2	42X-27311-00-93	E- 5	42X-82116-00	E-15	3CF-8353E-00	E-11
31A-23111-31	D- 8	1UF-23317-00	D- 7	56W-25377-00	E- 2	3CF-27410-00-93	E- 5	1E6-82131-00	E-15	3CF-8353H-00	E-11
		2AE-23340-30	D- 9	42X-25381-00	E- 2	1NH-27413-00	E- 5	3H5-82150-00	E-15	1FK-83535-00	E-11
1W1-23114-L0	D- 8	1J7-23415-00	D- 7	29L-25398-00	D-13		E- 6	2H7-82151-00	E-15	1RM-83540-00	E-11
		26H-23418-01	D- 7		D-15	4X7-27414-00	E- 6	36Y-82151-00	E-11	58A-83541-00	E-11
3JK-23118-00	D- 8	4H7-23441-00-38	D- 7	29L-25398-10	D-13	1RM-27420-00-93	E- 6	42X-82151-20	E-11	57A-83550-00	E-11
		42X-23442-00-38	D- 7		D-15	1RM-27430-00	E- 6	3JK-82305-00	E-15	42X-83559-00	E-11
4H7-23119-00	D- 8	1TE-24110-00-09	D-10	29L-25398-20	D-13	1NH-27433-00	E- 6	42X-82310-70	E-15	1FL-83570-F0	E-11
		1RM-24161-00	D-10		D-15		E- 7	57A-82314-00	E-15	55R-83579-00	E-11
1RM-23122-00	D- 7	1RM-24162-00	D-10	16G-25412-00	D-15	1HX-27437-00	E- 6	42X-82317-00	E-15	57A-83912-01	E-14
4V2-23125-L0	D- 8	4H7-24181-00	D-10	42H-25810-01	D-14		E- 7	42X-82320-70	E-15	57A-83922-01	E-14
		42X-24182-00	D-10	42H-25810-11	D-14	1RM-27440-00	E- 7	1J7-82370-00	E-15	437-83936-01	E-14
55R-23126-00	D- 8	42X-24183-00	D-10	3JK-25831-00	D-14	3CF-27471-00	E- 6	1TA-82380-20	F- 2	10M-83941-00	E-14
122-23129-00	D- 8	42X-24186-00	D-10	3JK-25831-10	D-14	3CF-27472-00	E- 6	2AE-82510-00	E-15	10M-83942-00	E-14
		3JK-24240-20	D-10	22R-25850-02	E- 4	42X-28185-00	D- 3	42X-82530-01	E-15	1AT-83972-00	E-14
42X-2313A-00	D- 7	42H-24280-00	D-10	3GM-25852-01	E- 4	1TA-2840F-00	C-15	42X-82539-00	E-15	3LP-83972-00	E-14
1RM-23132-00	D- 9	42H-24311-00	D-10	4K0-25854-00	E- 4	56W-46101-02	D- 5	2H7-82540-00	E-15	1A0-83980-30	E-15
1RM-23132-10	D- 9	42H-24315-00	D-11	306-25862-00	E- 4	1J7-46117-Y0-30	D- 5	33E-82566-00	F- 2	42X-84124-60	E-12
55R-23136-00	D- 8	42H-24316-00	D-10	4L0-25867-00	E- 4	1J7-46117-Y0-40	D- 5	3LP-82590-00	E-15	42X-84315-01	E-12
3JK-23141-00	D- 8	42H-24317-00	D-10	42H-25872-01	E- 4	1J7-46117-Y0-45	D- 5	10M-82911-00	E-14	42X-84318-00	E-12
		42H-24452-00	D-11	42H-25873-01	E- 4	1J7-46117-Y0-50	D- 5	3Y6-82917-00	E-14	2AE-84320-60	E-12
1W1-23142-L0	D- 8	3JK-24491-00	D-11	55R-25875-00	E- 4	22U-46118-00-18	D- 5	2EN-83310-00	E-10	42X-84330-01	E-12
		1FK-24560-00	D-10	55R-25876-00	E- 4	22U-46118-00-20	D- 5	1KT-83311-00	E-10	1A0-84332-60	E-12
42H-23144-00	D- 8	4X7-24602-00	D-10	42H-25885-00	E- 4	2H7-46122-00	D- 5		E-10	198-84334-60	E-12
		4X7-24612-00	D-10	29L-25919-00	D-14	4H7-46123-00	D- 5	2AE-83312-00	E-10	42X-84338-00	E-12

NUMERICAL INDEX

PART NO.	GRID NO.	PART NO.	GRID NO.	PART NO.	GRID NO.	PART NO.	GRID NO.	PART NO.	GRID NO.	PART NO.	GRID NO.
42X-84345-00	E-12	90116-08360	D- 5	90179-16448	B- 5	90214-20022	C- 7	90430-06139	D- 2	90480-20384	D- 3
34L-84346-00	E-12	90116-10249	D- 5	90179-25033	D- 7	90215-20182	C- 7	90430-10171	E-15	90480-23444	B- 3
42X-84366-00	E-12	90116-10344	B- 2	90179-44328	C-10	90215-20231	C- 8	90430-15169	B- 9	90480-24186	D-12
2F9-84375-00	E-12	90116-10361	D- 5	90179-88336	C-10	90215-22238	D- 4	90430-17168	B- 3	90501-102A2	D-11
5Y3-84395-00	E-12	90116-12469	B- 2	90185-14070	D- 5	90240-06057	E- 5		B- 9	90501-102A4	B-12
2F9-84397-01	E-12	90119-06097	E-13	90201-05031	E-11	90240-06103	E- 5	90445-081A9	E-15	90501-10245	E- 5
2EM-84700-E0	D-13	90123-08046	E- 3	90201-06057	D-12	90249-12008	E- 5	90460-12256	B-12	90501-10312	E-14
1RM-84704-00	E-13	90149-06011	F- 3	90201-06059	D-10	90280-05048	B- 5	90460-16192	D-10	90501-12743	E- 6
2AE-84721-00	E-13	90149-06153	E-14	90201-06067	D- 3	90282-07042	C- 7	90460-65195	B-12		E- 7
42X-84723-01	E-13	90149-06154	C-15	90201-061H3	E-12	90338-06121	B- 8		B-12	90501-15636	C- 6
2YL-84751-00	E-13	90149-08166	C- 6	90201-063A5	F- 2	90338-06162	C-15	90462-08076	C- 4	90501-16491	D- 6
42X-85131-01	F- 3	90149-08225	C-15	90201-06643	E- 8		D-13	90462-08138	C-14	90501-21133	B- 8
3JK-85720-00	F- 2	90151-06013	C- 6	90201-100A1	D- 7	90338-07043	C-14	90462-10085	C- 5	90501-70762	C-10
42H-85752-01	F- 3	90152-05021	F- 2		E- 6	90338-08163	D- 4	90462-10098	B-10	90506-08227	C-13
42X-85753-00	F- 3	90157-04001	E-12	90201-10118	E- 4		D- 7	90462-10143	C- 5	90506-10069	C- 7
5A8-86110-50	F- 3	90157-05084	E-12		E- 4		D- 7	90462-12142	C- 5	90506-20192	E- 5
90101-06291	D-15	90159-06058	C-14		E- 4	90338-09161	E- 6	90465-08256	D-11	90506-35149	E- 5
90101-06478	E- 5	90159-06071	D- 3		E- 4	90338-20113	D- 4	90465-08309	C- 4	90507-20002	D-15
90101-06576	C- 2	90159-06110	D- 3	90201-10269	B- 2	90340-14042	D- 6	90465-10168	C- 3	90507-29009	E- 5
	C- 2	90159-06128	C-15	90201-10437	D- 4	90340-14109	D- 6	90465-10264	F- 3	90508-18696	E- 6
90101-10303	B- 8	90170-06010	E-14	90201-105H3	C-14	90380-25125	B- 8	90467-07093	B-11		E- 6
90105-06069	C-14	90170-06184	E- 5	90201-10752	E- 5	90387-060A7	D- 3	90467-08092	B-11	90508-26494	C- 6
90105-06154	B- 8		F- 2	90201-10774	B- 8	90387-062L2	D-10		B-11	90508-29531	C-13
	B- 9	90170-06228	C-13	90201-12166	C-13	90387-06249	E-11	90467-10039	B-11	90508-32535	C-13
90105-10217	C-15	90170-08173	B- 7	90201-124E4	C-13	90387-064E8	C- 3		B-11	90560-06201	E- 5
90105-10275	C- 3	90170-10219	D-15	90201-125A3	B- 2	90387-065L5	E-13	90467-10091	B-11	90560-06258	D-10
90105-10297	C-14	90170-20274	C- 7		C-14	90387-07598	B-12		D-10	90560-15116	D-13
90105-10298	C-14	90170-20327	C- 8	90201-12588	C-13	90387-087A5	B- 4		D-10	90560-17249	D-15
90105-10299	C-14	90171-14044	E- 2		C-13	90387-087K5	E- 6		D-11	91311-06016	B- 2
	E- 6	90175-06019	E- 5	90201-14218	D-15		E- 6	90467-11044	D-10		B- 3
90105-10300	C-14	90176-06041	D-12	90201-144J5	E- 2	90387-100E2	C-14		D-10		C- 4
90105-10308	D-14	90176-06058	E- 6	90201-14632	D- 5	90387-107A7	E- 6		D-11		C- 4
90106-10030	D- 4	90176-10013	D- 4	90201-14633	C-10	90387-124F4	C-13	90467-14015	B- 2		F- 2
90109-06468	E- 5	90176-10049	B- 2	90201-154E9	C- 7	90387-15550	D-13	90467-14057	B-11	91311-06020	B-10
90109-06577	E-14		C-14	90201-165H4	B- 5	90387-170E5	C- 6	90468-05113	B- 9		C- 4
90109-06678	B-10		C-14	90201-20276	C- 9	90387-172A5	D- 6		B- 9	91311-06025	B- 2
90109-067A9	E-14		D- 6	90201-225A4	D-12	90387-172E5	C- 6	90468-12006	D- 7		B- 4
90109-08368	E- 2		E- 6	90201-231A2	D- 6	90387-17543	D- 4	90480-01401	D- 3		B- 8
90109-08397	D- 9	90176-22050	D- 7	90201-255A6	C-10	90387-251E1	C-10		D- 3		C- 5
90109-08406	E- 2	90179-08148	E- 3	90201-30297	C-12	90401-10034	E- 4	90480-01502	E-13	91311-06030	C- 3
90109-08592	B- 8	90179-08210	C- 2	90202-06010	C-14		E- 4	90480-10408	D-10		C- 4
90109-08718	D-14	90179-08507	C- 2		F- 3		E- 4	90480-12053	D- 3		C- 5
90109-101A3	E- 6	90179-09379	B- 5	90202-26142	D- 7	90401-10044	E- 4	90480-13163	D-10	91311-06035	C-15
90109-103A1	E- 5		B- 5	90209-06205	B- 8	90401-10102	B- 9	90480-14074	B-13	91311-06040	B- 4
90110-06077	D-12	90179-12325	B- 2	90209-10131	E-14	90401-16065	B- 3	90480-14229	E-13		C- 4
90110-06091	D-13	90179-12326	B- 2	90209-22191	C- 9	90401-16067	B- 9	90480-16233	D- 3		C- 5
90110-06138	B-12	90179-12421	C-14	90209-27192	C- 9	90413-07023	B-11	90480-16501	E-13	91311-06050	B-10
	E- 8	90179-14317	C-10		C- 9	90430-06014	C- 3	90480-20302	C- 3	91311-06055	C- 3

NUMERICAL INDEX

PART NO.	GRID NO.	PART NO.	GRID NO.	PART NO.	GRID NO.	PART NO.	GRID NO.	PART NO.	GRID NO.	PART NO.	GRID NO.
91311-06055	C- 4	92901-05600	E- 2	92990-06600	E-15	93306-20550	C- 9	94701-00220	B- 3	97016-06020	B-11
91311-06065	C- 4	92901-06200	E- 5		F- 3	93306-20901	C-10	95023-06020	E- 4	97016-06025	E- 4
91311-06080	C- 3		E-14	92990-08100	D- 7	93306-30203	D-13		E- 4	97021-05020	E- 2
91311-08020	D- 4	92901-06600	B- 8		D- 9	93306-30306	D-15	95023-08020	D- 7	97021-06012	C-15
91311-08030	D- 7		D-11		E- 2	93306-30424	C- 9		E- 7	97021-06016	D-12
	D- 9		E-13	92990-10100	D- 4	93306-30525	C- 9	95023-08035	D- 4		E-15
91311-08050	B- 2		E-13	93101-14102	C- 5	93306-30533	D- 5	95023-08045	C- 2	97021-06025	C- 8
91311-08055	E-12	92901-08200	C- 7	93101-30084	D- 5	93306-30806	B- 5		C- 2	97022-06012	C-15
91311-10060	C- 3	92901-08600	D- 7	93101-35099	C-10	93306-30807	B- 5		D- 7	97022-08012	C-15
91311-10070	C- 3		E- 2	93101-38098	D- 5	93306-90602	C-12		E- 7	97026-06012	D-11
91311-10100	C- 3	92901-08700	D- 6	93102-10247	C- 6	93306-91201	C- 9	95303-05600	E-11	97313-06016	E-12
91312-06090	B-13	92901-10100	D- 6	93102-12106	C-13	93311-43729	D- 5	95303-06600	D- 2	97313-06030	E-10
91316-06010	B- 3		D- 7	93102-22014	D-13	93311-44051	C-10		E-13	97701-40014	E-11
	B- 9	92902-08100	C-15	93102-25017	D- 4	93316-01201	C- 9	95303-06700	C-13	97701-40525	E-13
	B- 9		F- 3	93102-70167	D- 6	93316-01403	D- 5		F- 3	97702-60520	E-15
91316-06012	B-12	92906-06100	C-14	93104-14059	C- 7	93317-22021	C-10	95303-08700	B- 8	97706-50508	B-12
	F- 3		D-11	93104-20068	C- 9	93317-41510	D- 5		C- 7		B-12
91316-06016	C- 5		E- 4	93108-23007	D- 6	93332-00008	D- 7		E- 2		C-14
	D-12		E-11	93210-07135	B-10	93332-00010	D- 4		F- 3	97780-40112	B-12
	E- 8		E-14		C- 3	93332-00023	D- 7	95303-10700	D- 7	98001-08016	D-10
91316-06020	D-10	92906-06200	B-12	93210-07438	B- 9	93340-21505	C- 7		E- 5	98501-05010	B-14
91316-06025	E-12		B-13		B- 9	93399-99926	D- 6	95316-06600	E-11	98501-05012	B-12
91316-06035	B-13		B-13		C- 3	93410-22039	D- 6	95333-08600	D- 6		B-15
91316-06040	B- 9		E-11		C- 5	93410-23056	D- 6		D- 9	98501-06010	C- 4
91401-16015	E- 6	92906-06600	B-11	93210-10096	B-10	93410-25010	C- 9	95601-06100	E- 6		D- 3
	E- 7		B-12	93210-11368	E-14	93440-14086	B- 2		E-14		D-11
91401-20015	E- 2		C- 2	93210-14104	C- 6	93440-20088	D- 6	95611-08640	B- 2	98501-06012	D-11
	E- 5		C- 2	93210-14359	C-10	93440-30077	C- 9	95611-10620	C- 3	98501-06030	C- 4
91401-25020	E- 6		C-14	93210-29198	C- 3		C- 9		C- 3	98502-06016	F- 3
	E- 6		D- 2	93210-32172	C- 4	93450-24028	B- 5	95611-10670	C- 3	98506-05008	E- 3
91401-30030	E- 2		E-15	93210-44545	B-11	93501-04011	E- 7	95616-06100	E-14	98506-05010	D-10
91701-06038	E- 6		E-15	93210-48364	C- 7		E- 7	95701-05500	F- 3	98506-05014	B-14
	E- 7		F- 2	93210-48530	D-15	93604-10011	B- 8	95701-06500	C- 6		B-15
91701-08038	E- 6	92990-05100	B-14	93210-52449	C-10	93604-16092	C-12		E-10	98506-05035	E-14
	E- 6	92990-06100	C-15	93210-54452	B-10	93604-20156	C-12	95706-12500	E-10	98506-05040	E-14
91800-06030	B- 2		C-15	93210-56459	B-10	93605-10090	B- 8	95802-06025	B-13	98506-05045	E-14
92013-06012	D- 7		D- 3	93210-57428	D-15	93606-07082	C- 7	95811-06016	C-15	98506-06008	E-14
	E- 6		D- 3	93210-59531	D-15	93608-50158	C-13		C-15	98506-06080	B-12
	E- 7		D-11	93210-60426	D- 5	93900-00001	D-13	95811-06025	E- 9	98580-04008	B-14
92506-06012	C-14		D-11	93210-62446	B- 3	93900-00003	D-13	95811-08030	C-11		E-11
	D- 2		D-12	93210-71360	C-10	93900-00016	D-15	95811-10025	D- 6	98580-05006	D- 9
	E-15		E- 5	93210-92448	B- 2	94110-190J1	D-13	95821-06014	B-13	98603-06016	C- 4
92506-06025	E-15		E-12	93211-01467	B- 4	94110-190J3	D-13	97001-06018	E-13	98701-04010	E-11
92506-06050	B-12		E-13	93211-44348	D- 6	94114-155U5	D-15	97003-10016	E- 5	98701-05035	C-12
92516-06030	F- 2		F- 3	93306-20310	D-15	94114-155U6	D-15	97006-06022	E-14	98701-06014	C- 4
92901-04600	B-12		F- 3		D-15	94580-25066	B- 9	97011-06020	C-13		C-12
92901-05100	E- 2	92990-06200	C- 2	93306-20401	C- 9	94590-45098	B- 8		D- 3	98706-04012	E- 4
92901-05600	B-12		D- 2	93306-20548	C-10	94701-00218	B- 3	97011-08020	B- 3	98903-06010	C- 2

NUMERICAL INDEX

PART NO.	GRID NO.	PART NO.	GRID NO.	PART NO.	GRID NO.	PART NO.	GRID NO.	PART NO.	GRID NO.
98980-05016	E-15								
99006-10600	C-13								
99009-12400	C-13								
99009-13400	C- 6								
99009-20400	C- 9								
99236-00020	C-15								
99510-08016	B- 9								
99510-14016	C- 3								
99530-10014	C- 4								
99530-10020	C- 5								

INDEX

(INDIVIDUAL SPEC.)

NUMERICAL INDEX

PART NO.	GRID NO.	PART NO.	GRID NO.	PART NO.	GRID NO.	PART NO.	GRID NO.	PART NO.	GRID NO.
5A8-W2536-00	F-12								
3CF-21110-00-33	F- 5								
	F- 8								
	F-11								
42X-2139R-00	F- 5								
	F- 8								
	F-11								
1RM-21610-01-6G	F- 5								
	F- 8								
	F-11								
2AE-23340-30	F- 5								
	F- 8								
	F-11								
1J7-26290-40	F-12								
4H7-26290-30	F-12								
2AE-82501-01	F- 6								
	F- 9								
1AA-83318-00	F-13								
2AE-83371-00	F- 9								
2AE-83371-10	F- 9								
2AE-83378-00	F- 9								
2AE-83378-10	F- 9								
3LP-83570-00	F- 6								
55R-84321-H0	F- 6								
	F-13								
1RM-84751-00	F-13								
90171-14044	F-12								
92906-08100	F- 9								
92906-08600	F- 9								
97026-08012	F- 9								

COPY RIGHT: ALL RIGHTS RESERVED
NO PART OF THIS PUBLICATION MAY BE
REPRODUCED WITHOUT PERMISSION.



YAMAHA

YAMAHA MOTOR CO., LTD.
2500 SHINGAI IWATA-SHI SHIZUOKA-KEN JAPAN

PRINTED IN JAPAN

First edition Sep., 1990

TG